



回转传动解决方案

SLEWING DRIVE
SOLUTION

No.85 Yungu Road,Changshou,
Zhouzhuang Town,Jiangyin,Jiangsu,P.R.China
江苏省江阴市周庄镇长寿云顾路85号

+86 510-86366206
+86 510-86366117
+86 510-86366260

sales@conedrive.com.cn



科恩卓(江苏)传动有限公司

Cone Drive (Jiangsu) Power Transmission Co., Ltd

CONTENT 目录

VE SERIES VE系列

VE5D	07	VE8DA	29
VE5DN	09	VE8DB主动(Master drive)	31
VE5DQ主动(Master drive)	11	VE8DB从动(Slave drive)	33
VE5DQ从动(Slave drive)	13	VE8DH主动(Master drive)	35
VE6D	15	VE8DH从动(Slave drive)	37
VE6DNX	17	VE8DN	39
VE7D	19	VE8DQ主动(Master drive)	41
VE7DA	21	VE8DQ从动(Slave drive)	43
VE7DP	23	VE8GA	45
VE7DQ主动(Master drive)	25	VE9D	47
VE7DQ从动(Slave drive)	27	VE10D	49

DW SERIES DW系列

DW89	51	DW110	53
------	----	-------	----

COMBINED TYPE SERIES 组合式系列

WDP21	55	SDE17C	59
SDE7A.5/PDE7A.5	57		

CODE DESCRIPTION 编码说明	01
Advanced Tracking Design 领先的跟踪设计	02
COMPANY INTRODUCTION 公司简介	03
PROJECT CASE 工程案例	05

编码说明 CODE DESCRIPTION

Code:	1	2	3	4	5	6	7	8	9	10	11	12	13
Description:	Model code	Gear	Input	Motor	Worm	Input	Output	Output	Output	OEM			
Order information: (Example)	V E 7 D A	60	L T1	24.15.280	S30	S30	SS110	F	ZZ				
Option:													

SS	Square output shaft, root dimension	两端方输出, 根部尺寸 (装入最大位置)
RE	Rectangular output shaft	矩形管输出, 例RE70x80
C	PCD of output shaft	圆法兰输出, 安装孔中心直径
I	Inside diameter of circular tube	圆管输出 (在外), 管内径尺寸
O	Outside diameter of circular tube	圆管输出 (在内), 管外径尺寸
E	Ellipse tube output (inside), ellipse short side outside diameter	椭圆管输出 (在内), 椭圆短边外径尺寸
D	D-shape tube output (inside), tube outside diameter	D型管输出 (在内), 管外径尺寸
DD	Double D-shape tube output (inside), tube outside	双D型管输出 (在内), 管外径尺寸
H	Hexagon tube output (inside), tube outside dimension of opposite sides	六边形管输出 (在内), 管对边尺寸
P	Pentagon tube output (inside), tube outside dimension of parallel opposite	五边形管输出 (在内), 管平行对边尺寸
OC	Octagon tube output (chamfered rectangle tube, inside), length x width	八边形管输出 (在内), 长x宽尺寸
None		其他

S	Series drive coupling shaft, both sides, diameter dimension	联动型连接轴, 双输出, 直径
SH	Series drive coupling shaft, both sides, Hexagon dimension	联动型连接轴, 双输出, 六边形尺寸
Q	Series drive coupling shaft, both sides, quadrate dimension	联动型连接轴, 双输出, 正方形尺寸
None		无

W	Involute spline worm shaft	花键蜗杆输出轴
S	worm shaft, diameter dimension	蜗杆输出轴直径
None		无

24.15.280	Motor code	电机型号
None	For Motor or no motor	电机或无

T1	Right-angle gear box A	带转角齿轮箱A
None		

L	Left, motor position	电机左装
R	Right, motor position	电机右装
F	Front, motor position, view chart A or shaft position	电机前装, 见图A. 或单轴输出在前
B	Back, motor position, view chart A shaft position	电机后装, 见图A.
LF	Front-left, motor position	电机左侧前装
LB	Back-left, motor position	电机左侧后装
RF	Front-right, motor position	电机右侧前装
RB	Back-right, motor position	电机右侧后装

60	Reduction ratio.	减速比
VE5	Reduction ratio:55	减速比:55
VE6	Reduction ratio:50,55	减速比:50,55
VE7	Reduction ratio:60,65,67	减速比:60;65;67
VE8	Reduction ratio:50	减速比:50
VE9	Reduction ratio:61	减速比:61
VE10	Reduction ratio:80	减速比:80

D	Slide bearing	轴套式
DA	Slide bearing and advanced	轴套优化型
DB	Slide bearing with inclined worm	轴套蜗杆倾斜型
DC	Slide bearing with bevel gears, motor is under input shaft	轴套带锥齿轮传动型, 电机在传动轴下方
DE	Slide bearing with bevel gears, motor is coaxial with input shaft	轴套带锥齿轮传动型, 电机与传动轴同轴
DF	Slide bearing with bevel gears, motor is on one side of worm	轴套带锥齿轮传动型, 电机在装置一侧
DG	Slide bearing with spur gears, motor is under input shaft	轴套带圆柱齿轮传动型, 电机在传动轴下方
DH	Slide bearing with spur gears, motor is coaxial with input	轴套带圆柱齿轮传动型, 电机与传动轴同轴
DI	Slide bearing with inclined worm, multi-stage (large reduction ratio)	轴套蜗杆倾斜多级传动型 (大减速比)
DJ	Slide bearing with spur gears, helicon gear and motor is coaxial with input shaft	轴套带圆柱齿轮传动型, 交叉齿轮、电机与传动轴同轴
DKA	Slide bearing with spur gears, main drive shaft intersects slave drive shaft	轴套带圆柱齿轮传动型, 主动轴与从传动轴相交
DKB	Slide bearing with spur gears, without main drive shaft	轴套带圆柱齿轮传动型, 无主传动轴
DM	Slide bearing with right-angle gear	轴套带转角齿轮箱
DN	Slide bearing, two stage worm gears	轴套式, 两级蜗轮蜗杆减速
DP	Slide bearing with large dimension	轴套式, 齿轮增大式
DQ	Slide bearing with inclined worm, two stage worm gears	轴套蜗杆倾斜式, 两级蜗轮蜗杆减速

G	Raceway	滚道式
GA	Raceway, oil seal	滚道式, 油封密封
GB	Raceway, rotating base and oil seal.	滚道式底座旋转型, 油封密封
I	Individual raceway	独立滚道式
NONE		无

5	Model Size	
6	Model Size	
7	Model Size	
8	Model Size	模型大小
9	Model Size	
10	Model Size	

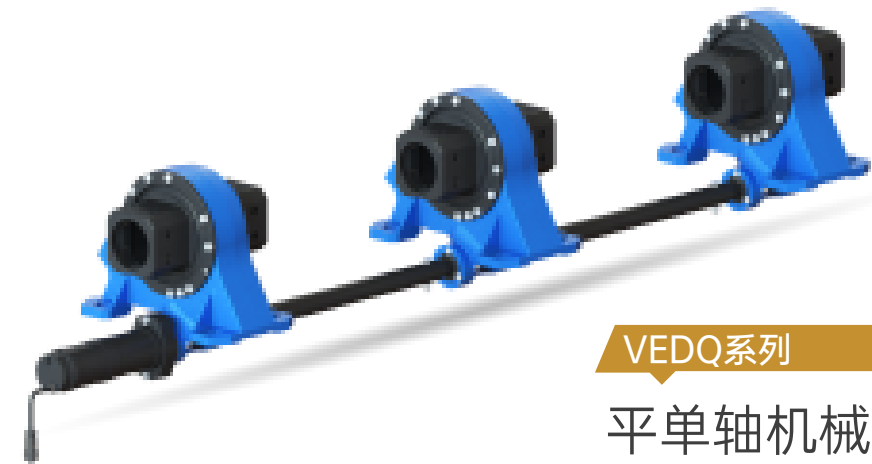
E	Enclosed housing slewing drive	围栏型回转驱动装置
V	Vertical housing, helical gear	立式围栏型, 斜齿
SD	Dual axis, helical gear	双轴型, 斜齿
WD	Dual axis, worm gear	双轴型, 蜗齿
PD	Dual axis, helical gear, precision	双轴型, 低间隙
WDP	Dual axis, helical gear, zero backlash raceway, precision	双轴型, 斜齿, 低间隙, 滚道零间隙

领先的跟踪设计

Advanced Tracking Design



VE系列
平单轴单点双排联动
Single axis tracker 1PX2 rows



VEDQ系列
平单轴机械多点联动
Mechanical multi-point tracker



VEDN系列
平单轴电气多点联动
Electrical multi-point tracker

公司简介

COMPANY INTRODUCTION



科恩卓（江苏）传动有限公司（原名：“江阴市华方新能源高科设备有限公司”），成立于2008年，是全球太阳能和工程机械回转减速器领域的领先企业，隶属于全球工程轴承及工业传动领域领导者美国铁姆肯公司。科恩卓秉持母公司的先进技术、工艺、产品及质量管理体系，并在此基础上持续创新。

科恩卓坚持以客户和产品为核心，集设计研发、智能制造和服务为一体，专注于技术以引领行业提升，为全球绿色可持续性发展提供高效的传动解决方案和定制化的高品质服务。

Cone Drive (Jiangsu) Power Transmission Co., LTD (Original name "Jiangyin Huafang New Energy High-Tech Equipment Co., LTD"), founded in 2008, Cone Drive is a US based world leader in precision motion control technology whose parent company is Timken, a world leader in engineered bearings and power transmission products. Inheriting the advanced technologies, processes, products and the Quality Management Systems from the parent company.

Cone Drive has been unremittingly pursuing innovation and excellence and has become a world leader in solar tracking systems and industry equipment applications. By cohesively integrating R&D, intelligent manufacturing, and service, which is centered with customers and products, Cone Drive is focusing on technology development so as to lead the industry, and provide most efficient slewing solutions and customized high-quality services for the global green and sustainable initiatives.

工程案例 PROJECT CASE

科恩卓积极布局全球市场，项目分布在美国、西班牙、智利、巴西、阿根廷、墨西哥、阿布扎比、迪拜等多个国家及地区。

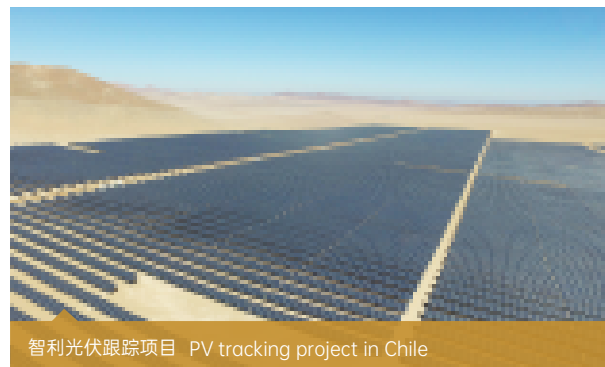
Cone Drive actively distributes the global market project located in USA, Spain, Chile, Brazil, Argentina, Mexico, ABU Dhabi, Dubai.



墨西哥光伏跟踪项目 PV tracking project in Mexico



印度光伏跟踪项目 PV tracking project in India



智利光伏跟踪项目 PV tracking project in Chile



西班牙光伏跟踪项目 PV tracking project in Spain



迪拜塔式光热发电项目 Solar Tower Thermal Power in Dubai



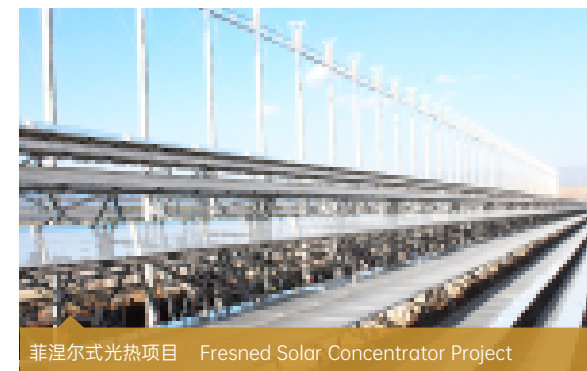
德令哈塔式光热发电项目 Solar Tower Thermal Power in Delinghatta



阿曼光伏跟踪项目 PV tracking project in Oman



巴西光伏跟踪项目 PV tracking project in Brazil



菲涅尔式光热项目 Fresnel Solar Concentrator Project



槽式光热项目 Solar Parabolic Trough Power



青海光伏跟踪项目 PV tracking project in Qinghai



宁夏光伏跟踪项目 PV tracking project in Ningxia



白城光伏跟踪项目 PV tracking project in Baicheng

科恩卓深耕国内光伏跟踪市场，项目遍及青海、宁夏、山东、陕西、吉林等地，积累了丰富的项目经验。

Cone Drive goes deep into the solar photovoltaic tracking market in China, project located in Qinghai, Ningxia, Shandong, Shaanxi, Jilin, etc., accumulate abundant project experience.

SLEWING DRIVE 回转式减速器

VE5D

UNITS: mm
单位: mm
1inch=25.4mm

Weight: ≈26.5kg

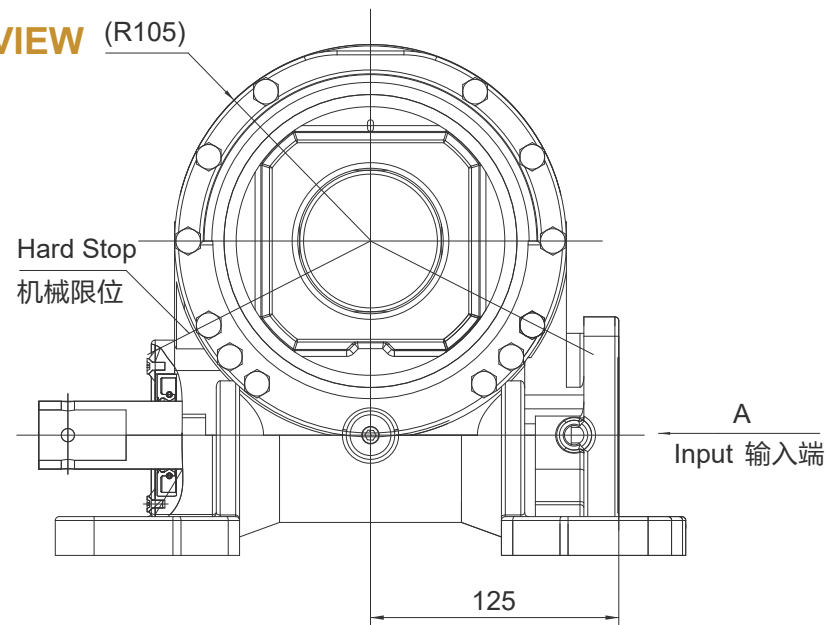


Slewing Drive Performance Parameters

VE5D性能参数表

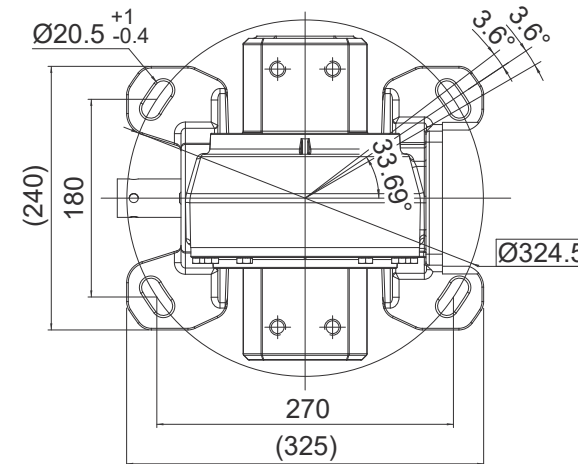
Rated Output Torque	Output Torque (Max.)	Holding Torque	Gear Ratio	Tracking Precision	Weight
额定输出转矩	最大输出转矩	保持力矩	减速比	精度等级	重量
3300 N.m	4.8 kN.m	15 kN.m	55 : 1	≤0.3°	≈26.5 kg (SS113)
2435 lbf.ft	3542 lbf.ft	3066 lbf.ft			

FRONT VIEW (R105)
正视图

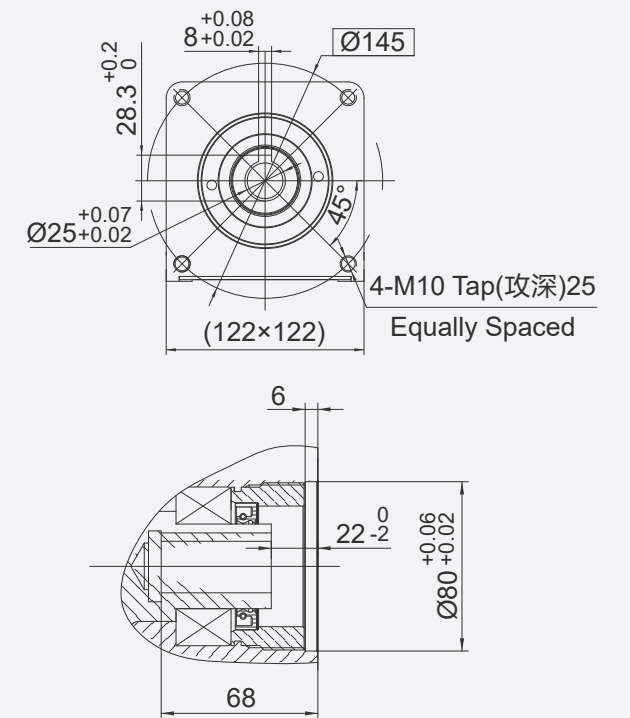


SPECIAL DESIGN BASE ON CUSTOMER'S REQUIREMENT
可根据顾客的要求进行非标设计

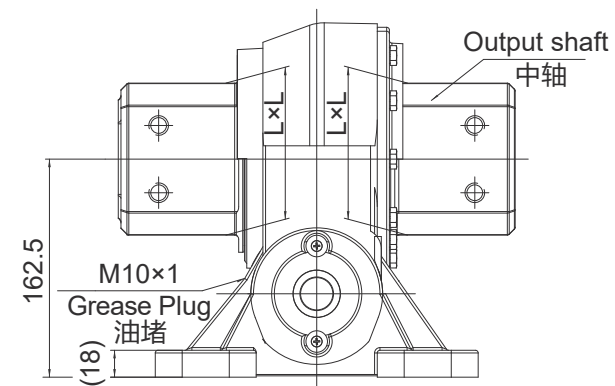
TOP VIEW
俯视图



VIEW A
A向视图



SIDE VIEW
侧视图



Type of output shaft	Square方形(max.)
中轴类型	SS113
Size 尺寸(L×L)	113×113

中轴类型、尺寸可根据客户要求, 进行非标设计(Customized)

NOTICE 注意

- This drawing is just for your refenece. 以上图纸仅供参考。
- This drawing is susbject to change due to new design without prior notice. 本公司保留改进产品的权利而不再另行通知。

SLEWING DRIVE 回转式减速器

VE5DN



UNITS: mm
单位: mm
1inch=25.4mm

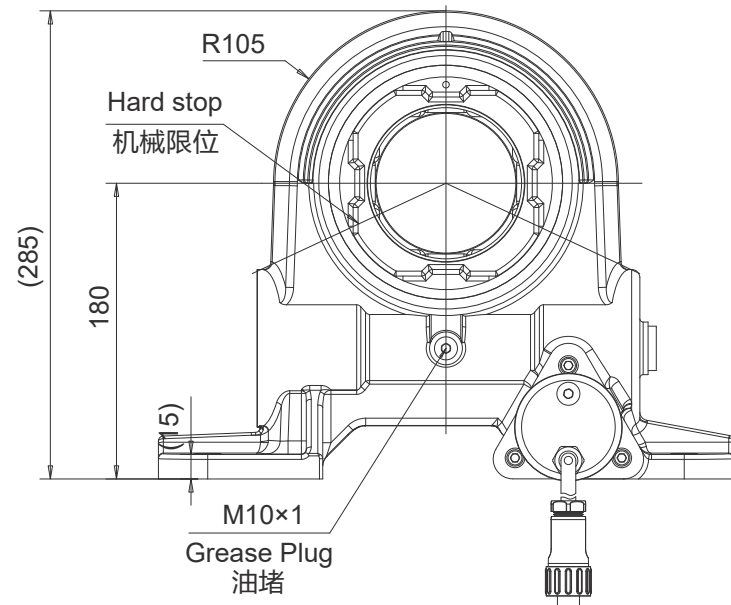
Weight: ~32kg

Slewing Drive Performance Parameters

VE5DN 性能参数表

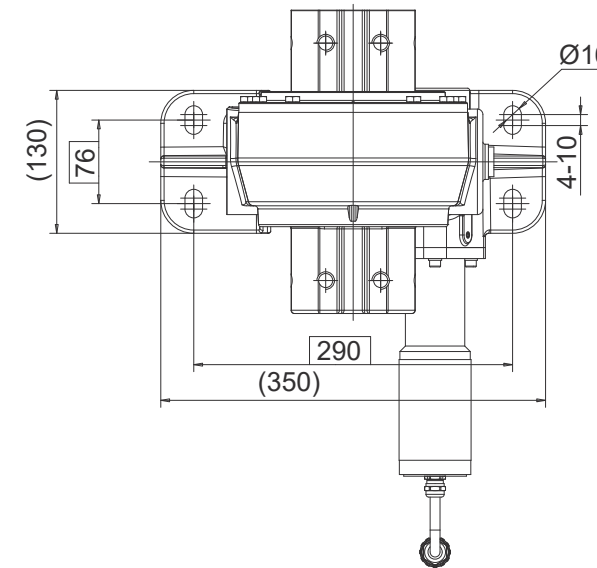
Rated Output Torque	Output Torque (Max.)	Holding Torque	Gear Ratio	Tracking Precision	Weight
额定输出转矩	最大输出转矩	保持力矩	减速比	精度等级	重量
3000 N.m	4.5 kN.m	15 kN.m	476.7 : 1	≤0.3°	≈ 32kg (SS113)
2212 lbf.ft	3319 lbf.ft	11063 lbf.ft			

FRONT VIEW 正视图

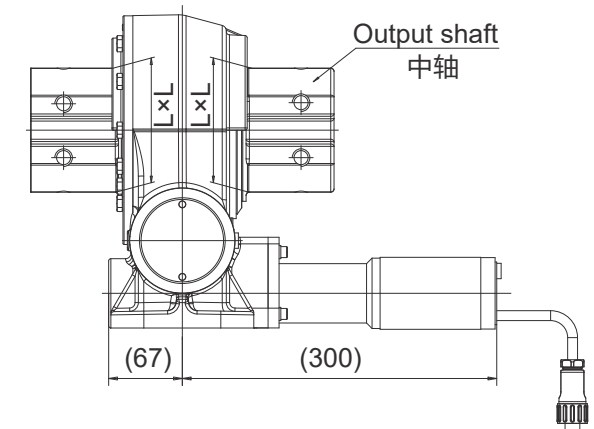


SPECIAL DESIGN BASE ON CUSTOMER'S REQUIREMENT
可根据顾客的要求进行非标设计

TOP VIEW 俯视图



SIDE VIEW 侧视图



24VDC Planetary Reducer Motor Performance Data 24.90.25 直流有刷减速电机性能参数

Rated Voltage	Rated Speed	Rated Torque	Rated Current	IP Class
额定电压	额定转速	额定转矩	额定电流	防护等级
24 VDC	9 rpm	25N.m	≤2.5 A	IP65

Type of output shaft Square 方形

中轴类型 SS113

Size 尺寸(L×L) 113×113

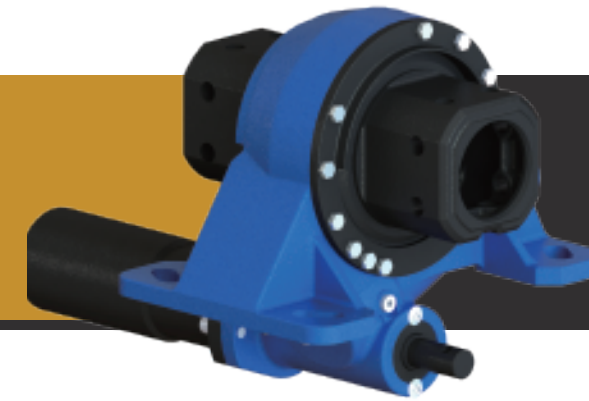
中轴类型、尺寸可根据客户要求, 进行非标设计(Customized)

! NOTICE 注意

- This drawing is just for your refenece. 以上图纸仅供参考。
- This drawing is subject to change due to new design without prior notice. 本公司保留改进产品的权利而不再另行通知。

SLEWING DRIVE (Master drive) | VE5DQ

回转式减速器 (主动)



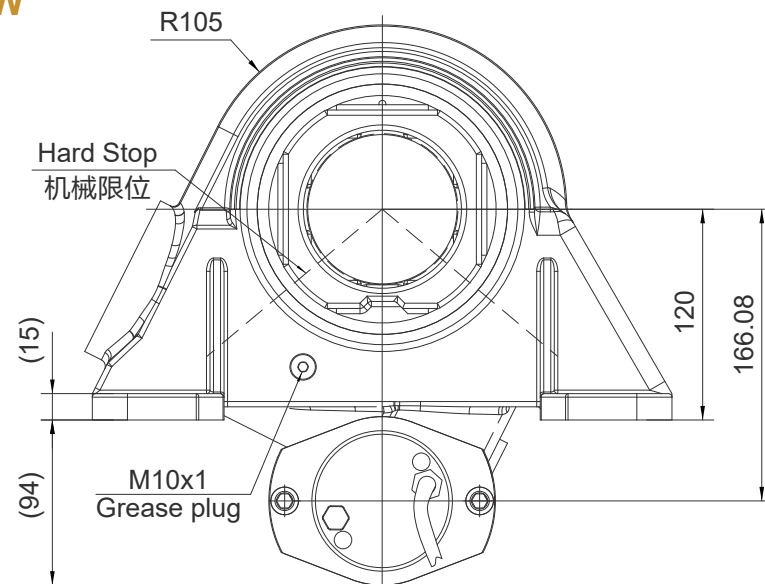
UNITS: mm
单位: mm
1inch=25.4mm

Weight: ~36kg

Slewing Drive Performance Parameters
VE5DQ (主动) 性能参数表

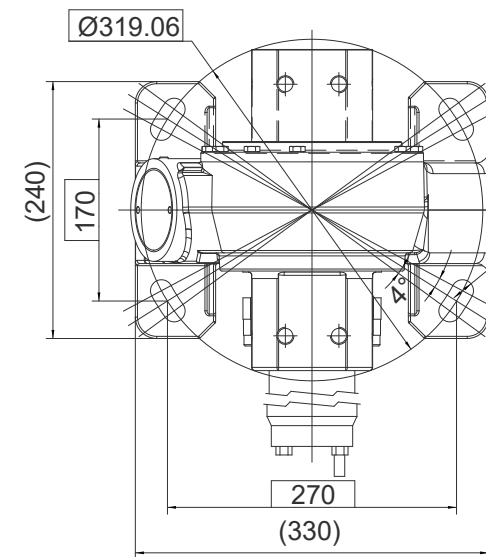
Rated Output Torque	Output Torque (Max.)	Holding Torque	Gear Ratio	Tracking Precision	Weight
额定输出转矩	最大输出转矩	保持力矩	减速比	精度等级	重量
3000 N.m	4.5 kN.m	15 kN.m	476.7 : 1	≤0.3°	≈36 kg (SS112)
2212 lbf.ft	3319 lbf.ft	11063 lbf.ft			

FRONT VIEW
正视图

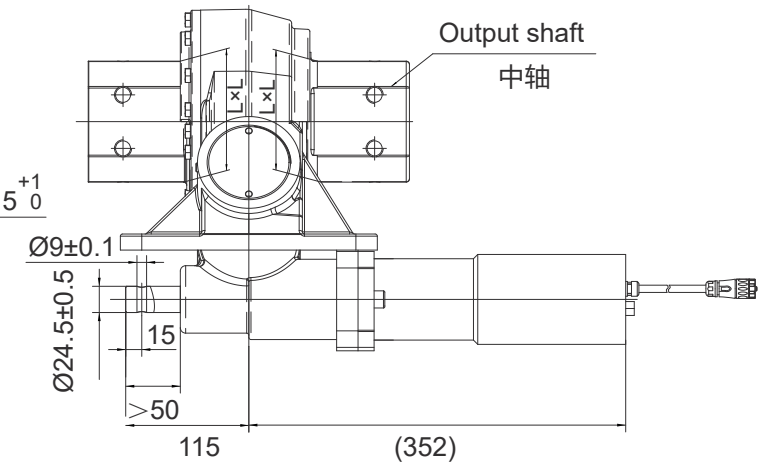


SPECIAL DESIGN BASE ON CUSTOMER'S REQUIREMENT
可根据顾客的要求进行非标设计

TOP VIEW
俯视图



VIEW A
A向视图



24VDC Planetary Reducer Motor Performance Data
24.90.80 直流有刷减速电机性能参数

Rated Voltage	Rated Speed	Rated Torque	Rated Current	IP Class
额定电压	额定转速	额定转矩	额定电流	防护等级
24 VDC	9 rpm	80N.m	≤6.7 A	IP65

One motor can drive two slewing drives. 一台电机可以驱动两台装置

Type of output shaft Square 方形

中轴类型 SS112

Size 尺寸(L×L) 112×112

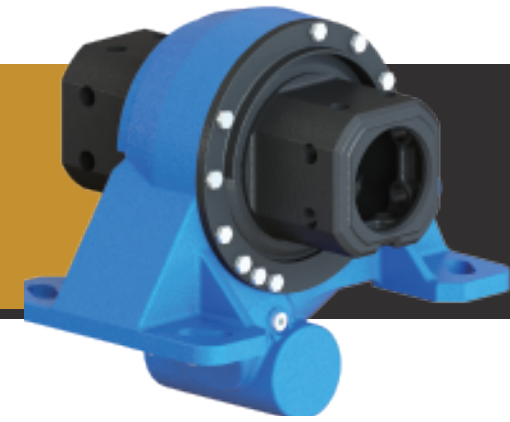
中轴类型、尺寸可根据客户要求, 进行非标设计(Customized)

NOTICE 注意

- This drawing is just for your reference. 以上图纸仅供参考。
- This drawing is subject to change due to new design without prior notice. 本公司保留改进产品的权利而不再另行通知。

SLEWING DRIVE (Slave drive) | VE5DQ

回转式减速器 (从动)



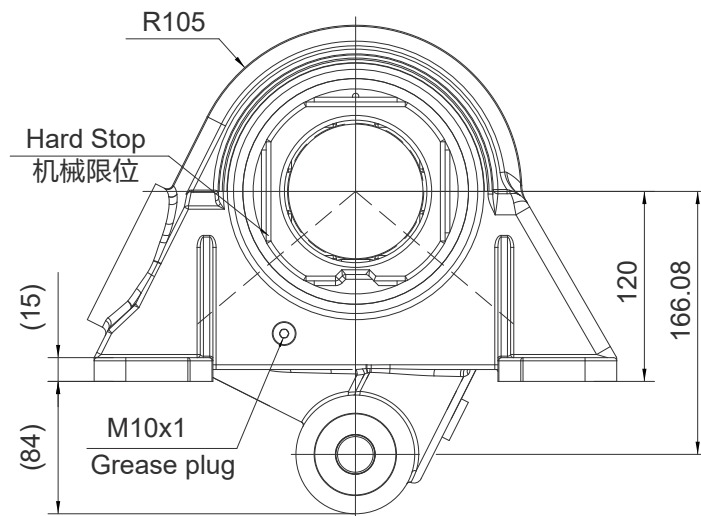
UNITS: mm
单位: mm
1inch=25.4mm

Weight: ~30kg

Slewing Drive Performance Parameters
VE5DQ (从动) 性能参数表

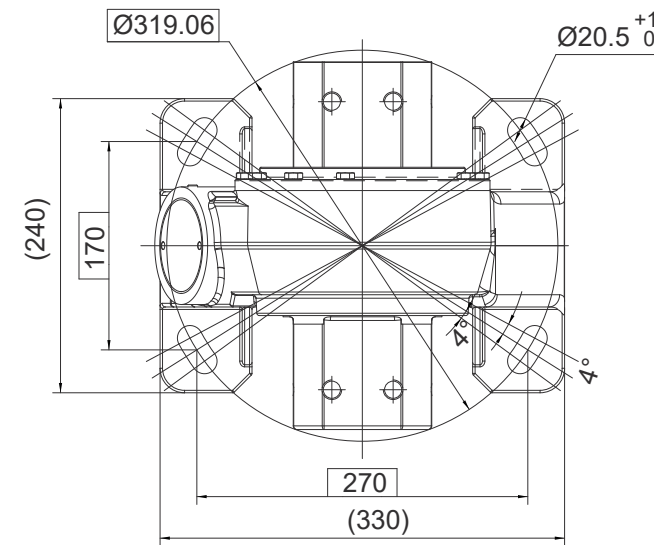
Rated Output Torque	Output Torque (Max.)	Holding Torque	Gear Ratio	Tracking Precision	Weight
额定输出转矩	最大输出转矩	保持力矩	减速比	精度等级	重量
3000 N.m	4.5 kN.m	15 kN.m	476.7 : 1	≤0.3°	≈30 kg (SS112)
2212 lbf.ft	3319 lbf.ft	11063 lbf.ft			

FRONT VIEW
正视图

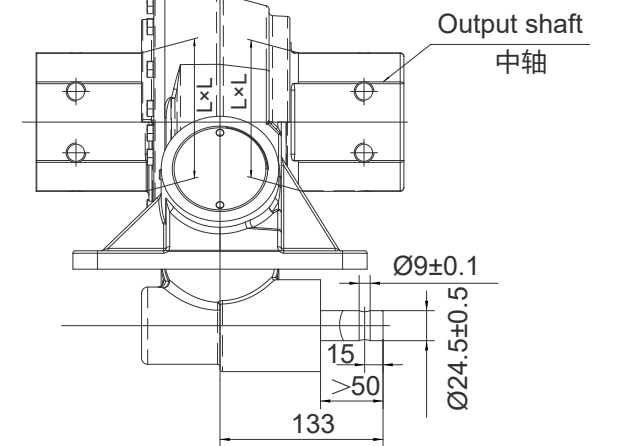


SPECIAL DESIGN BASE ON CUSTOMER'S REQUIREMENT
可根据顾客的要求进行非标设计

TOP VIEW
俯视图



VIEW A
A向视图



24VDC Planetary Reducer Motor Performance Data
24.90.80 直流有刷减速电机性能参数

Rated Voltage	Rated Speed	Rated Torque	Rated Current	IP Class
额定电压	额定转速	额定转矩	额定电流	防护等级
24 VDC	9 rpm	80N.m	≤6.7 A	IP65

One motor can drive two slewing drives. 一台电机可以驱动两台装置

Type of output shaft Square 方形

中轴类型 SS112

Size 尺寸(L×L) 112×112

中轴类型、尺寸可根据客户要求, 进行非标设计(Customized)

NOTICE 注意

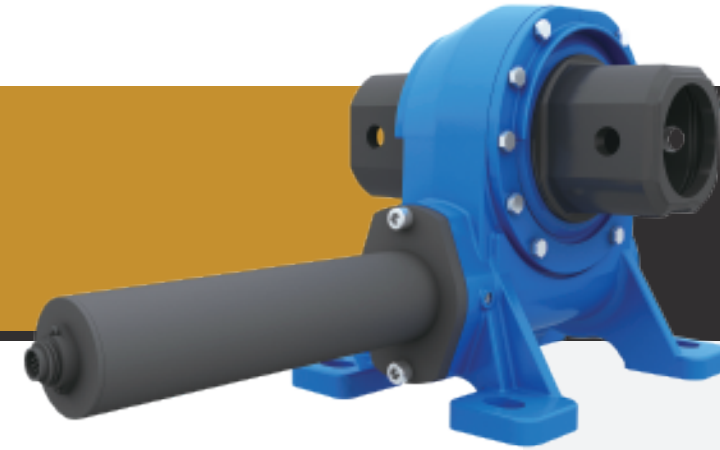
- This drawing is just for your refenece. 以上图纸仅供参考。
- This drawing is subject to change due to new design without prior notice. 本公司保留改进产品的权利而不再另行通知。

SLEWING DRIVE 回转式减速器

VE6D

UNITS: mm
单位: mm
1inch=25.4mm

Weight: 33kg

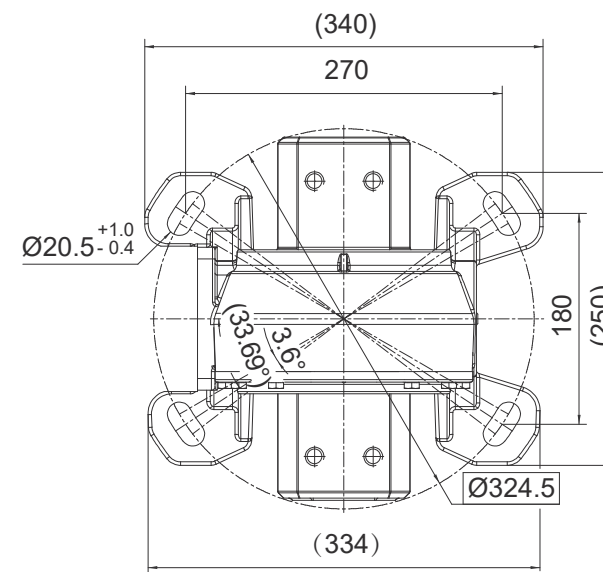


Slewing Drive Performance Parameters

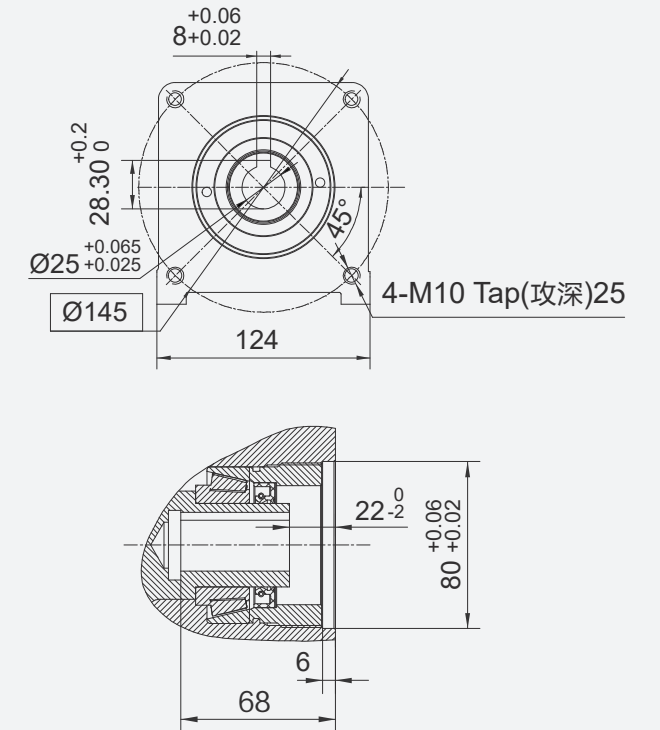
VE6D性能参数表

Rated Output Torque	Output Torque (Max.)	Holding Torque	Gear Ratio	Tracking Precision	Weight
额定输出转矩	最大输出转矩	保持力矩	减速比	精度等级	重量
4200 N.m	7200 N.m	25 kN.m	55 : 1	≤0.3°	≈33 kg (SS113)
3099 lbf.ft	5309 lbf.ft	18450 lbf.ft			

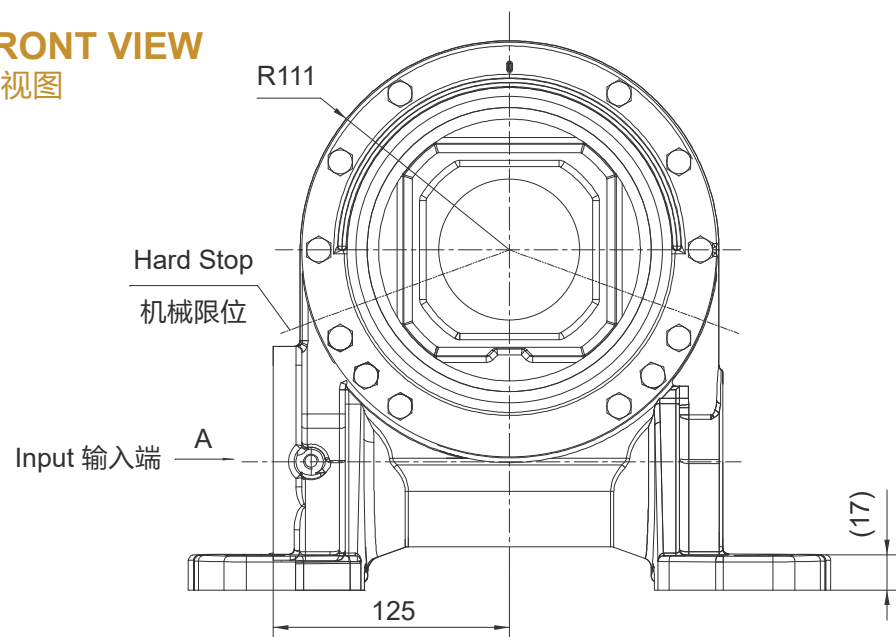
TOP VIEW
俯视图



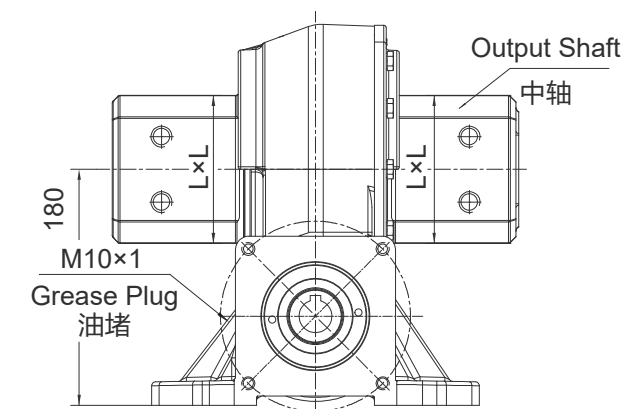
VIEW A
A向视图



FRONT VIEW
正视图



SIDE VIEW
侧视图



Type of output shaft	Square 方形(max.)
中轴类型	SS113
Size 尺寸(L×L)	113×113

中轴类型、尺寸可根据客户要求, 进行非标设计(Customized)

NOTICE 注意

- This drawing is just for your reference. 以上图纸仅供参考。
- This drawing is subject to change due to new design without prior notice. 本公司保留改进产品的权利而不再另行通知。

SPECIAL DESIGN BASE ON CUSTOMER'S REQUIREMENT
可根据顾客的要求进行非标设计

SLEWING DRIVE 回转式减速器

VE6DNX



UNITS: mm
单位: mm
1inch=25.4mm

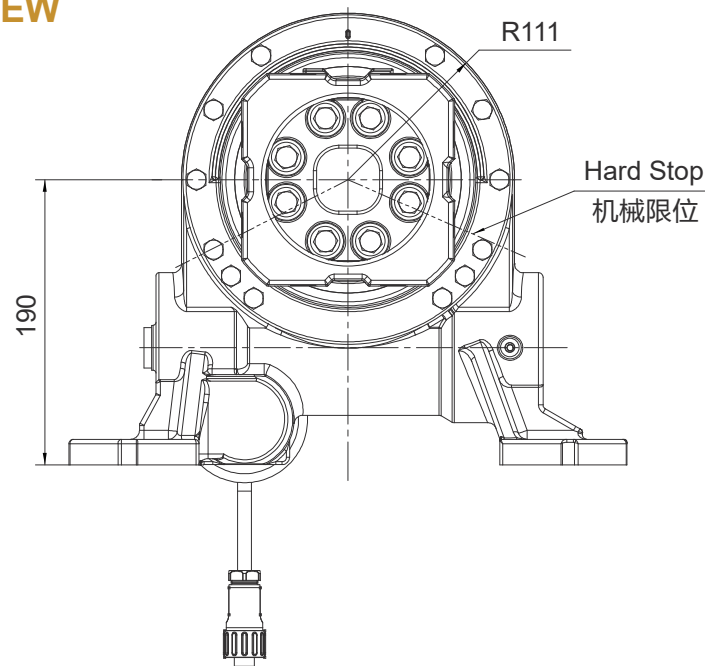
Weight: ~45kg

Slewing Drive Performance Parameters

VE6DNX性能参数表

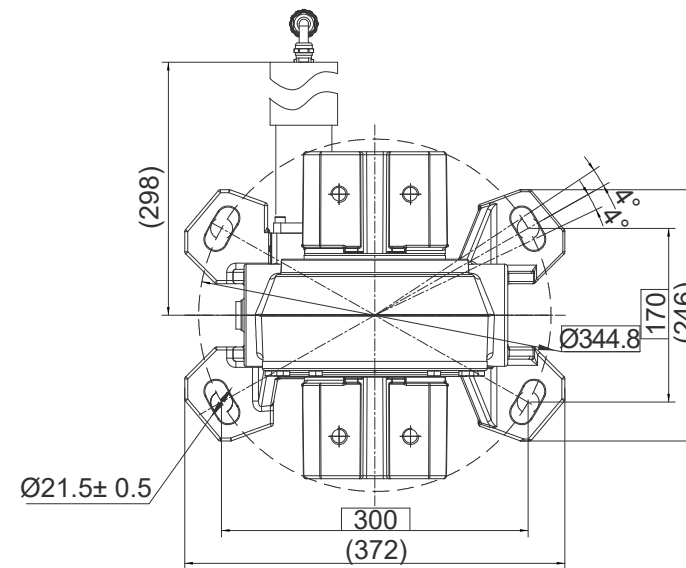
Rated Output Torque	Output Torque (Max.)	Holding Torque	Gear Ratio	Tracking Precision	Weight
额定输出转矩	最大输出转矩	保持力矩	减速比	精度等级	重量
3600 N.m	5000 N.m	30 kN.m	476.7 : 1	≤0.3°	≈ 45kg (SS142)
2656 lbf.ft	3690 lbf.ft	22140 lbf.ft			

FRONT VIEW
正视图

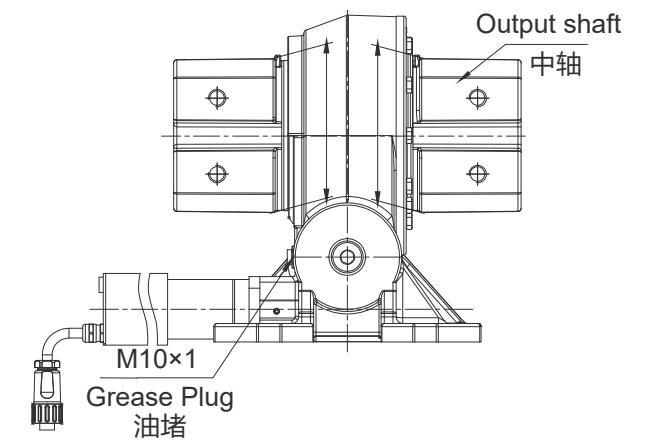


SPECIAL DESIGN BASE ON CUSTOMER'S REQUIREMENT
可根据顾客的要求进行非标设计

TOP VIEW
俯视图



SIDE VIEW
侧视图



24VDC Planetary Reducer Motor Performance Data 24.120.30直流有刷减速电机性能参数

Rated Voltage	Rated Speed	Rated Torque	Rated Current	IP Class
额定电压	额定转速	额定转矩	额定电流	防护等级
24 VDC	12 rpm	30 N.m	≤3.5 A	IP65

Type of output shaft Square 方形

中轴类型 SS142

Size 尺寸(L×L) 142×142

中轴类型、尺寸可根据客户要求, 进行非标设计(Customized)

NOTICE 注意

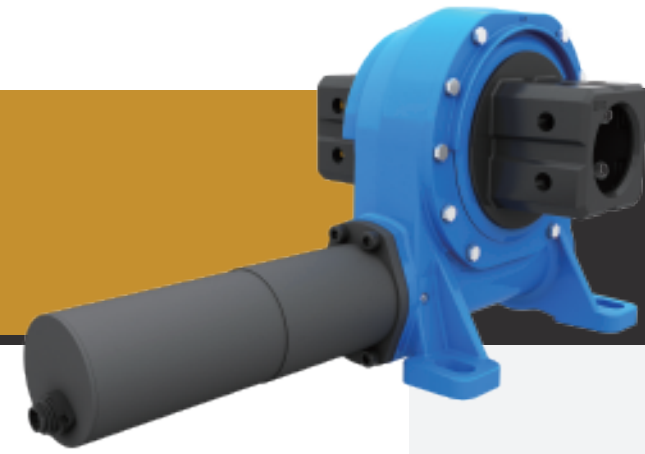
- This drawing is just for your reference. 以上图纸仅供参考。
- This drawing is subject to change due to new design without prior notice. 本公司保留改进产品的权利而不再另行通知。

SLEWING DRIVE 回转式减速器

VE7D

UNITS: mm
单位: mm
1inch=25.4mm

Weight: ≈40kg

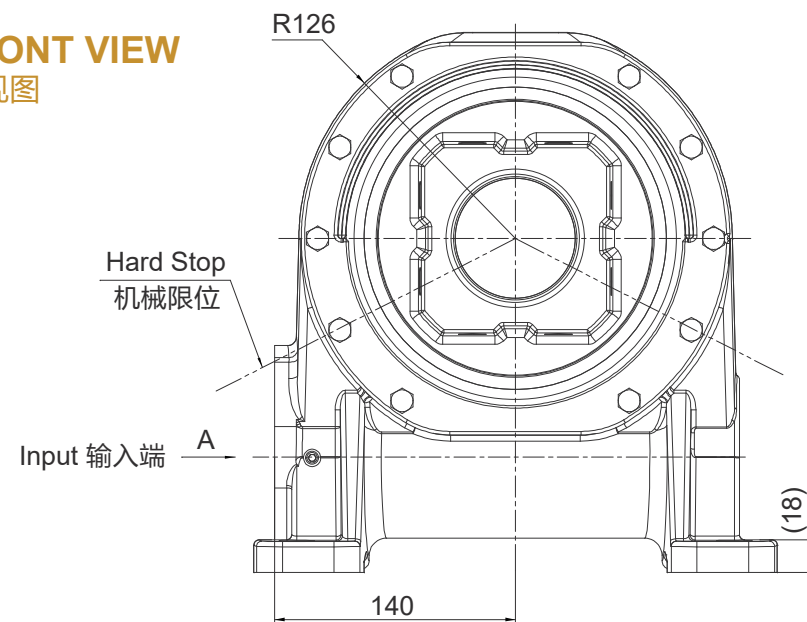


Slewing Drive Performance Parameters

VE7D性能参数表

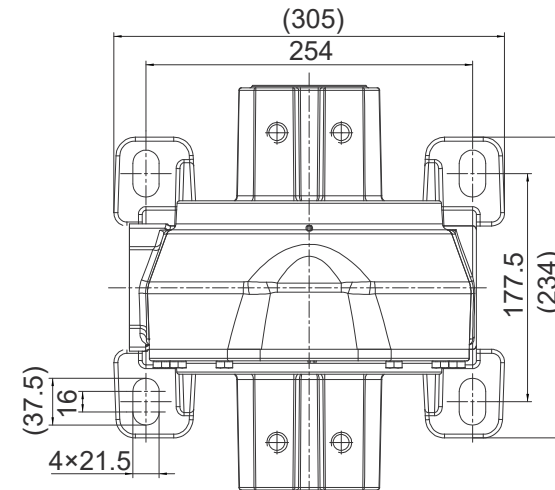
Rated Output Torque	Output Torque (Max.)	Holding Torque	Gear Ratio	Tracking Precision	Weight
额定输出转矩	最大输出转矩	保持力矩	减速比	精度等级	重量
4500 N.m	8500 N.m	39 kN.m	60 : 1	≤0.3°	≈40 kg (SS112)
3321 lbf.ft	6273 lbf.ft	28782 lbf.ft			

FRONT VIEW
正视图

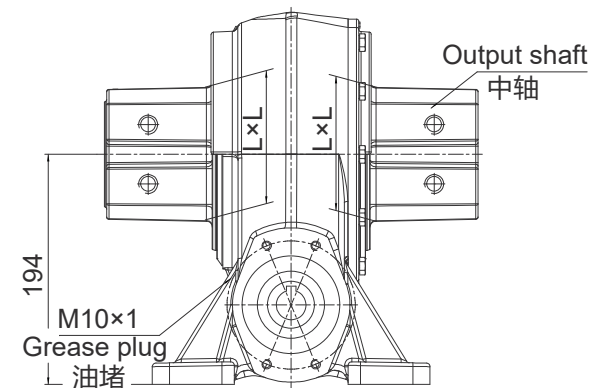


SPECIAL DESIGN BASE ON CUSTOMER'S REQUIREMENT
可根据顾客的要求进行非标设计

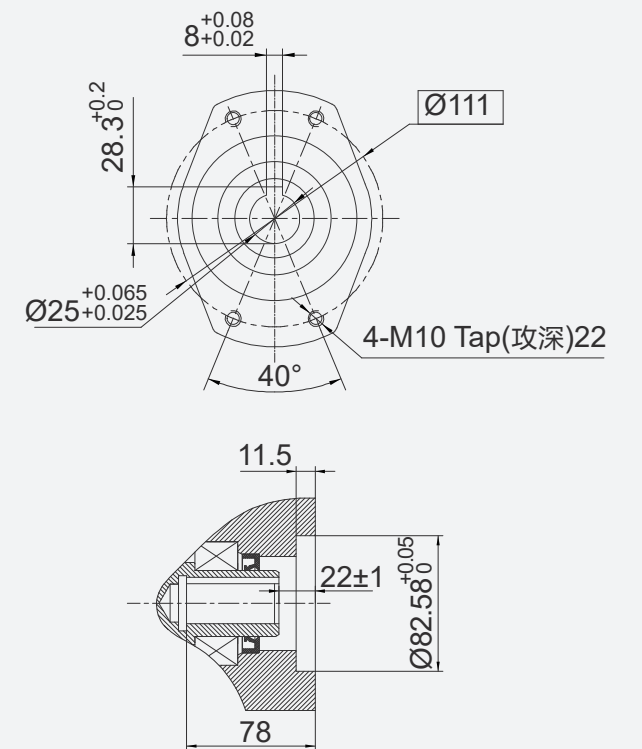
TOP VIEW
俯视图



SIDE VIEW
侧视图



VIEW A
A向视图



Type of output shaft Square 方形 Square 方形 Square 方形(max.)

中轴类型	SS110	SS111	SS112
Size 尺寸(LxL)	110×110	111×111	112×112

中轴类型、尺寸可根据客户要求, 进行非标设计(Customized)

NOTICE 注意

- This drawing is just for your reference. 以上图纸仅供参考。
- This drawing is subject to change due to new design without prior notice. 本公司保留改进产品的权利而不再另行通知。

SLEWING DRIVE 回转式减速器

VE7DA

UNITS: mm
单位: mm
1inch=25.4mm

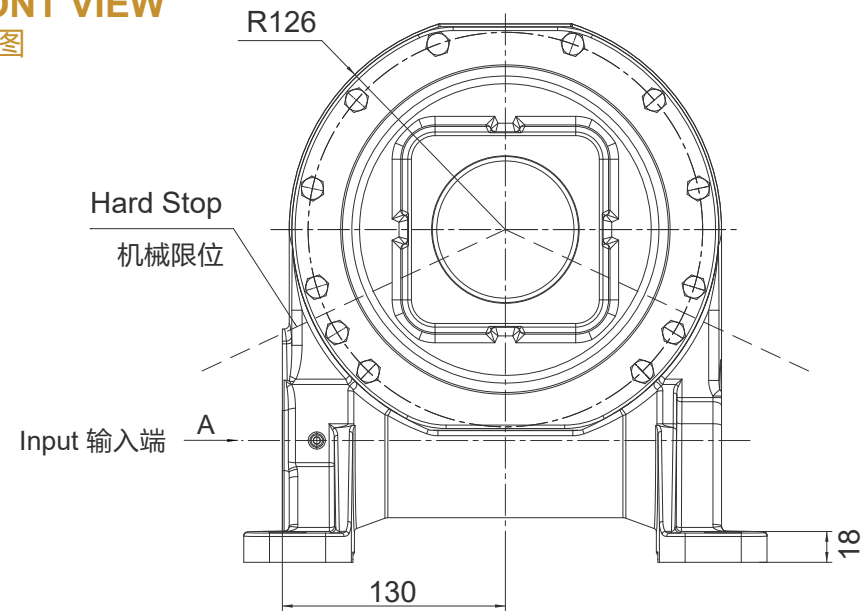
Weight: ≈35kg

Slewing Drive Performance Parameters

VE7DA 性能参数表

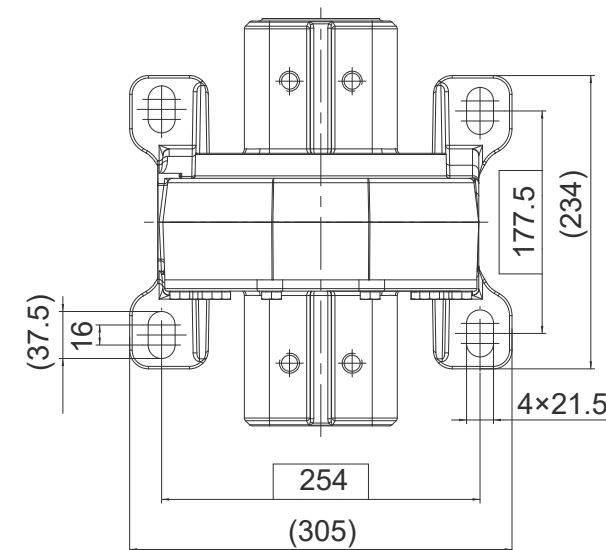
Rated Output Torque	Output Torque (Max.)	Holding Torque	Gear Ratio	Tracking Precision	Weight
额定输出转矩	最大输出转矩	保持力矩	减速比	精度等级	重量
4500 N.m	8500 N.m	39 kN.m	60 : 1	≤0.3°	≈35 kg (SS112)
3321 lbf.ft	6273 lbf.ft	28782 lbf.ft			

FRONT VIEW
正视图

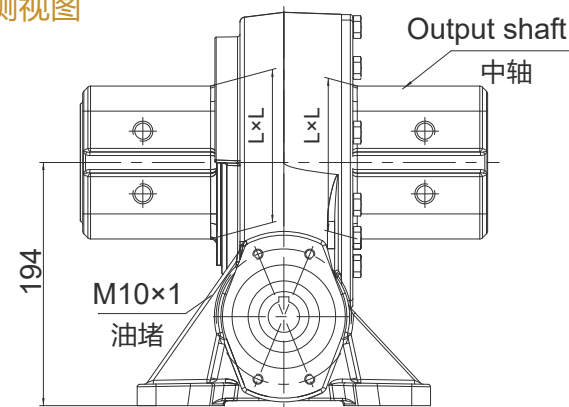


SPECIAL DESIGN BASE ON CUSTOMER'S REQUIREMENT
可根据顾客的要求进行非标设计

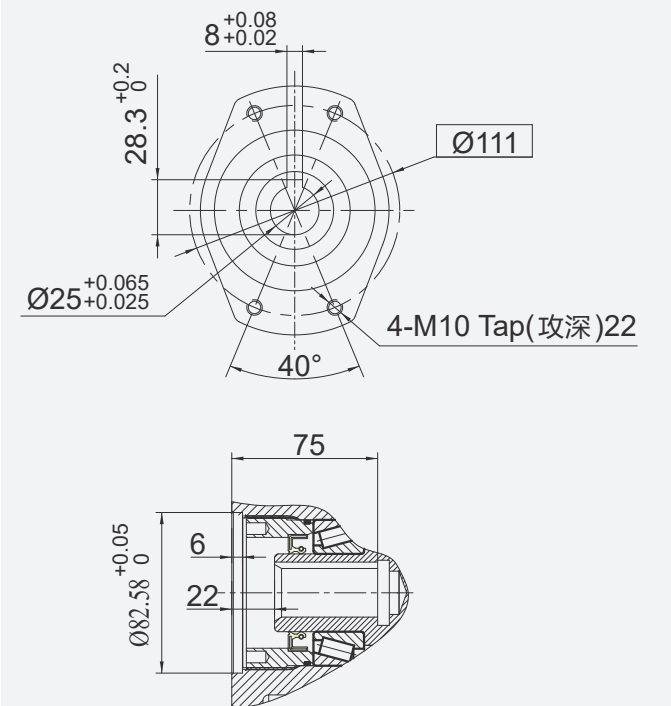
TOP VIEW
俯视图



SIDE VIEW
侧视图



VIEW A
A向视图



Type of output shaft	Square 方形	Square 方形	Square 方形	Square 方形	Octagon 八边形
----------------------	-----------	-----------	-----------	-----------	-------------

中轴类型	SS112	SS122	SS131	SS133.5	OC133
------	-------	-------	-------	---------	-------

Size 尺寸(LxL)	112x112	122x122	131x131	133.5x133.5	133x132
--------------	---------	---------	---------	-------------	---------

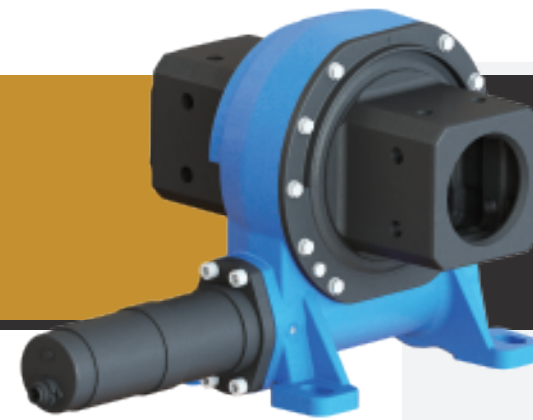
中轴类型、尺寸可根据客户要求, 进行非标设计(Customized)

NOTICE 注意

- This drawing is just for your reference. 以上图纸仅供参考。
- This drawing is subject to change due to new design without prior notice. 本公司保留改进产品的权利而不再另行通知。

SLEWING DRIVE 回转式减速器

VE7DP



UNITS: mm
单位: mm
1inch=25.4mm

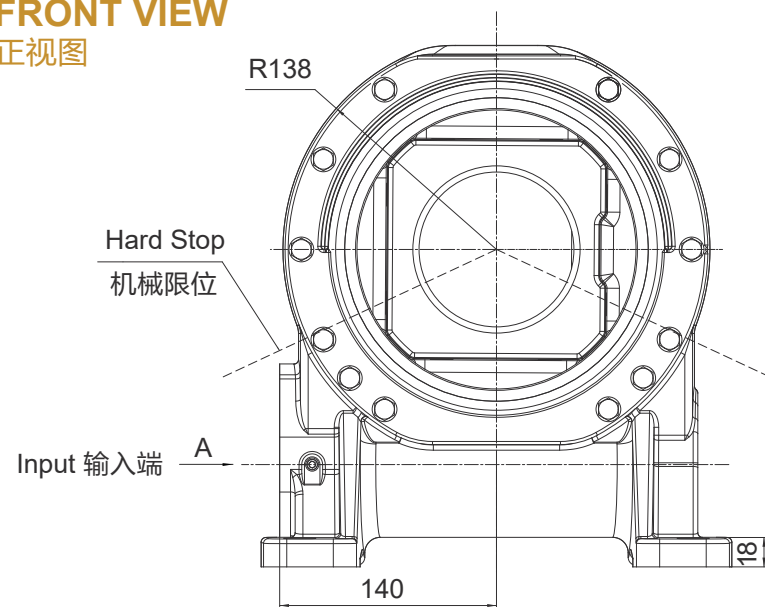
Weight: ≈46kg

Slewing Drive Performance Parameters

VE7DP 性能参数表

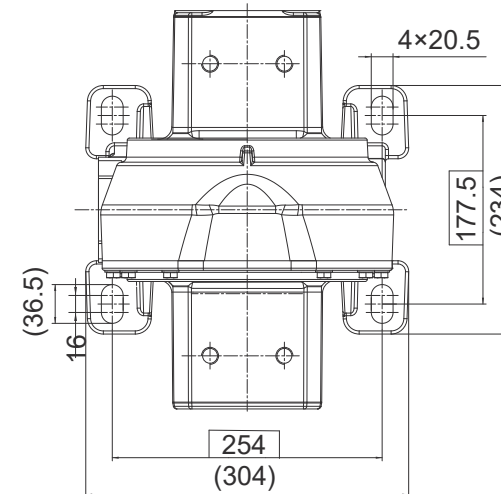
Rated Output Torque	Output Torque (Max.)	Holding Torque	Gear Ratio	Tracking Precision	Weight
额定输出转矩	最大输出转矩	保持力矩	减速比	精度等级	重量
4500 N.m	8.5 kN.m	39 kN.m	67 : 1	≤0.3°	≈ 46kg (SS142)
3321 lbf.ft	6273 lbf.ft	28782 lbf.ft			

FRONT VIEW 正视图

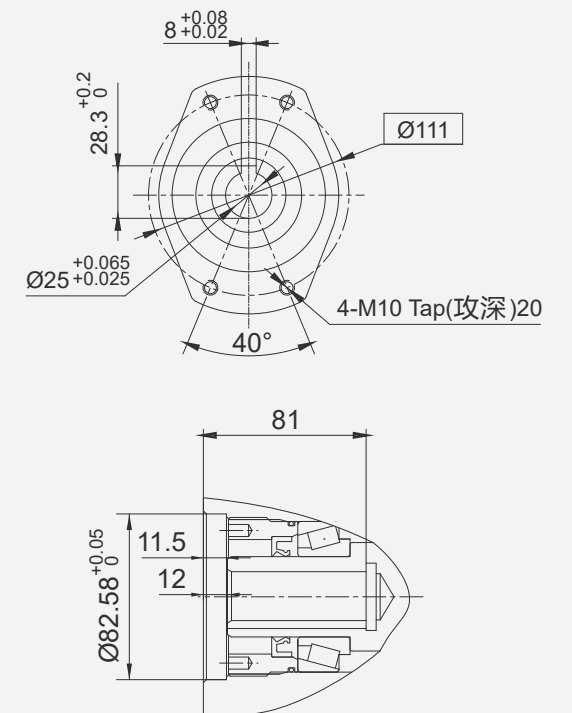


SPECIAL DESIGN BASE ON CUSTOMER'S REQUIREMENT
可根据顾客的要求进行非标设计

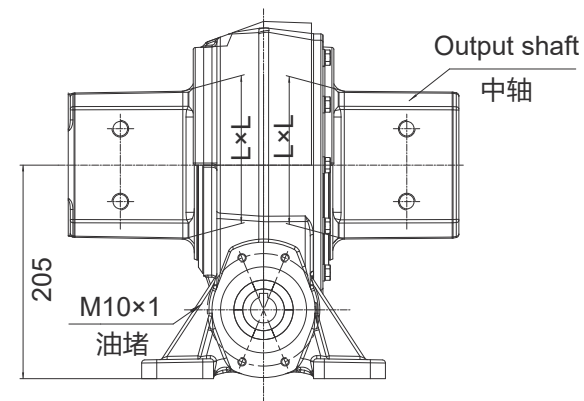
TOP VIEW 俯视图



VIEW A A向视图



SIDE VIEW 侧视图



Type of output shaft	Square 方形	Square 方形	Square 方形	Octagon 八边形
----------------------	-----------	-----------	-----------	-------------

中轴类型	SS130	SS140	SS142	OC131
------	-------	-------	-------	-------

Size 尺寸(LxL)	130x130	140x140	142x142	131x131
--------------	---------	---------	---------	---------

中轴类型、尺寸可根据客户要求, 进行非标设计(Customized)

NOTICE 注意

- This drawing is just for your reference. 以上图纸仅供参考。
- This drawing is subject to change due to new design without prior notice. 本公司保留改进产品的权利而不再另行通知。

SLEWING DRIVE (Master drive)
回转式减速器 (主动)

VE7DQ



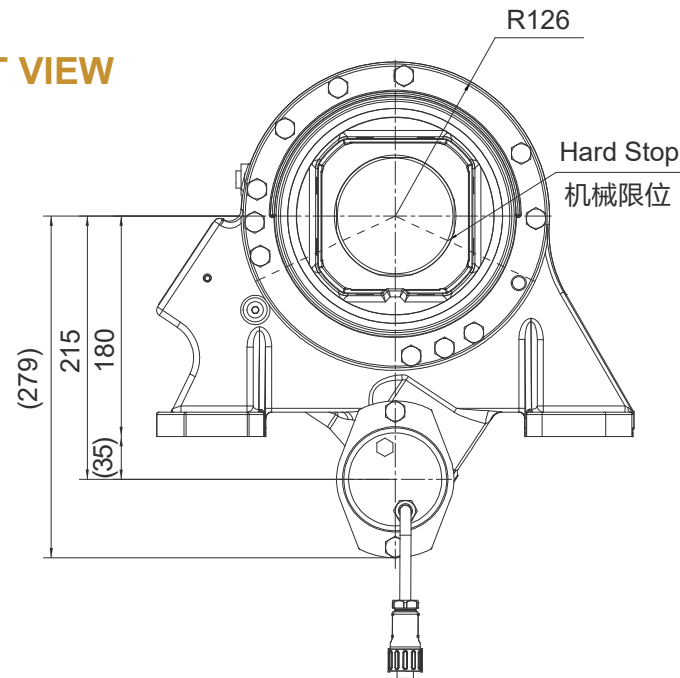
UNITS: mm
单位: mm
1inch=25.4mm

Weight: ~50kg

Slewing Drive Performance Parameters
VE7DQ (主动) 性能参数表

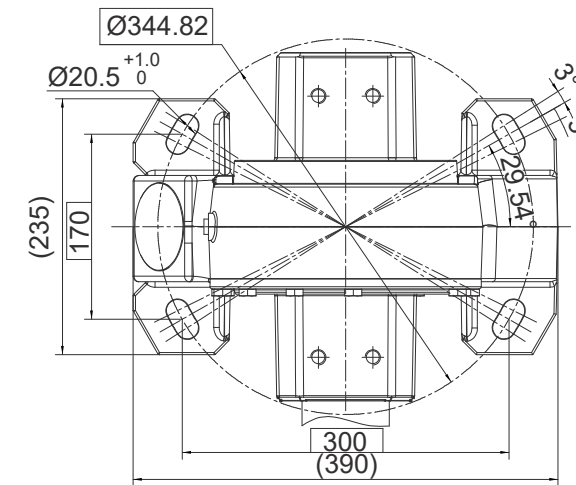
Rated Output Torque	Output Torque (Max.)	Holding Torque	Gear Ratio	Tracking Precision	Weight
额定输出转矩	最大输出转矩	保持力矩	减速比	精度等级	重量
3500 N.m	5000 N.m	37 kN.m	540 : 1	≤0.3°	≈50 kg (SS130)
2581 lbf.ft	3688 lbf.ft	27289 lbf.ft			

FRONT VIEW
正视图

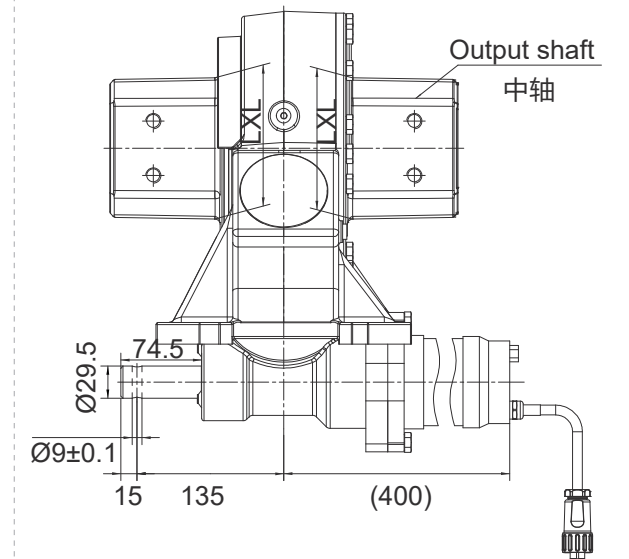


SPECIAL DESIGN BASE ON CUSTOMER'S REQUIREMENT
可根据顾客的要求进行非标设计

TOP VIEW
俯视图



SIDE VIEW
侧视图



24VDC Planetary Reducer Motor Performance Data
24.90.80 直流有刷减速电机性能参数

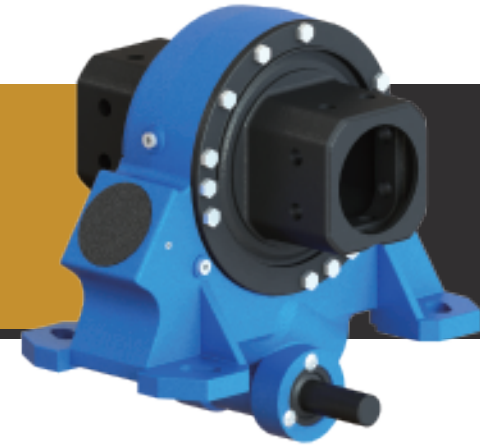
Rated Voltage	Rated Speed	Rated Torque	Rated Current	IP Class
额定电压	额定转速	额定转矩	额定电流	防护等级
24 VDC	9 rpm	80 N.m	≤7.5 A	IP65

NOTICE 注意

- This drawing is just for your refenece.
以上图纸仅供参考。
- This drawing is susbject to change due to new design without prior notice.
本公司保留改进产品的权利而不再另行通知。

SLEWING DRIVE (Slave drive)
回转式减速器 (从动)

VE7DQ



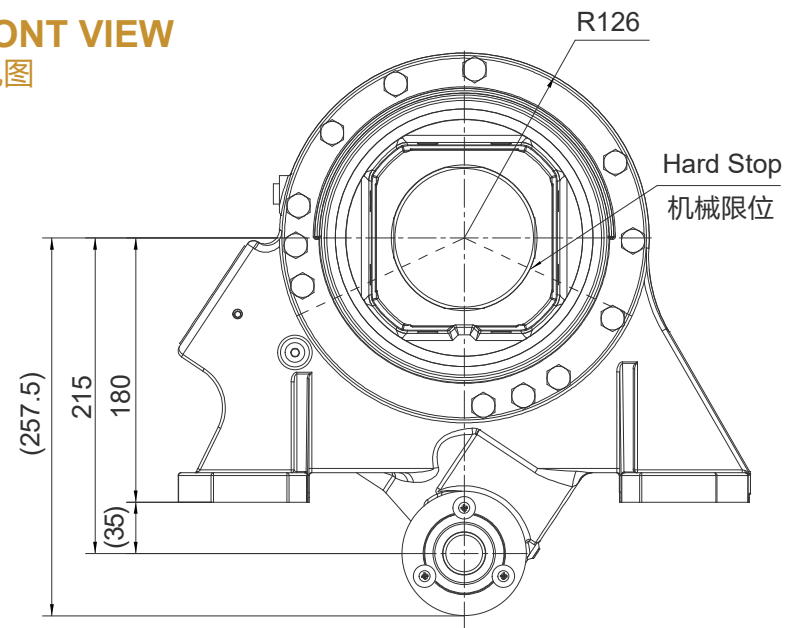
UNITS: mm
单位: mm
1inch=25.4mm

Weight: ≈45kg

Slewing Drive Performance Parameters
VE7DQ (从动) 性能参数表

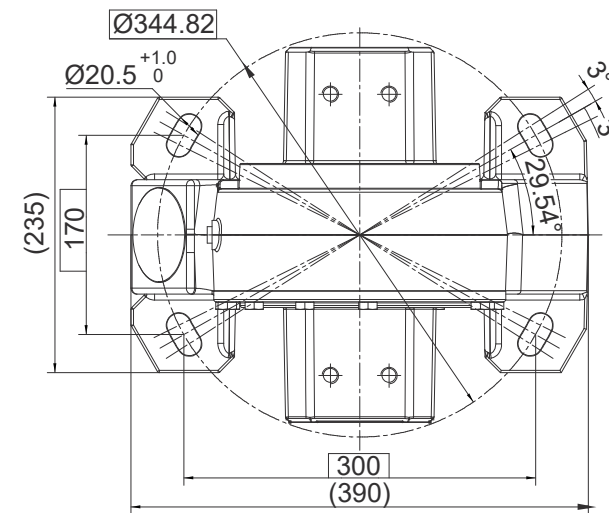
Rated Output Torque	Output Torque (Max.)	Holding Torque	Gear Ratio	Tracking Precision	Weight
额定输出转矩	最大输出转矩	保持力矩	减速比	精度等级	重量
3500 N.m	5000 N.m	37 kN.m	540 : 1	≤0.3°	≈45 kg (SS130)
2581.5 lbf.ft	3688 lbf.ft	27289.8 lbf.ft			

FRONT VIEW
正视图

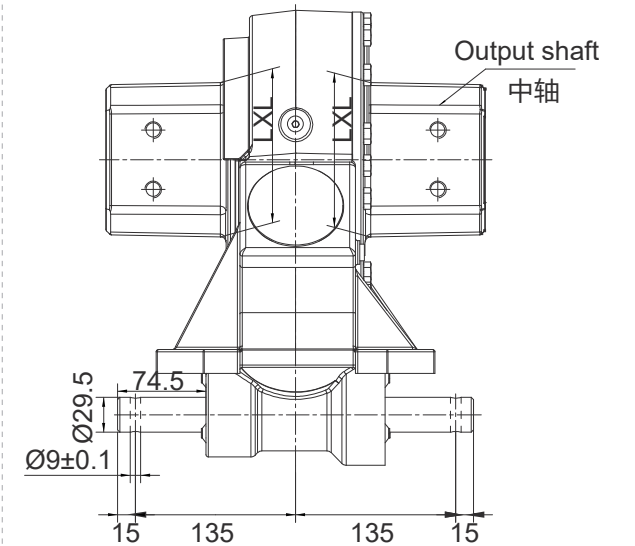


SPECIAL DESIGN BASE ON CUSTOMER'S REQUIREMENT
可根据顾客的要求进行非标设计

TOP VIEW
俯视图



SIDE VIEW
侧视图



Type of output shaft	Square 方形
中轴类型	SS130
Size 尺寸(L×L)	130×130

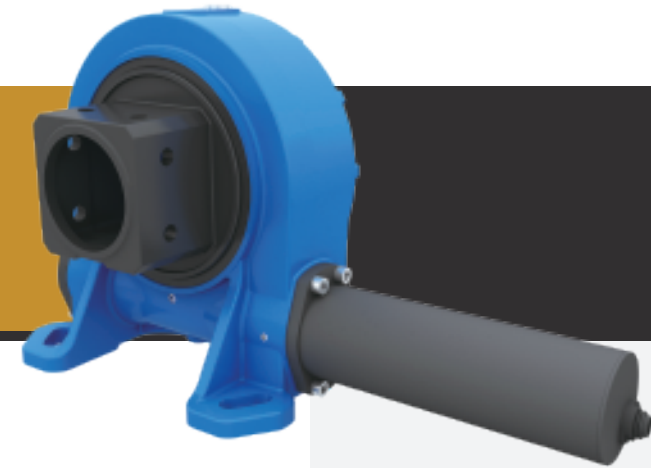
中轴类型、尺寸可根据客户要求, 进行非标设计(Customized)

NOTICE 注意

- This drawing is just for your refenece. 以上图纸仅供参考。
- This drawing is susbject to change due to new design without prior notice. 本公司保留改进产品的权利而不再另行通知。

SLEWING DRIVE 回转式减速器

VE8DA



UNITS: mm
单位: mm
1inch=25.4mm

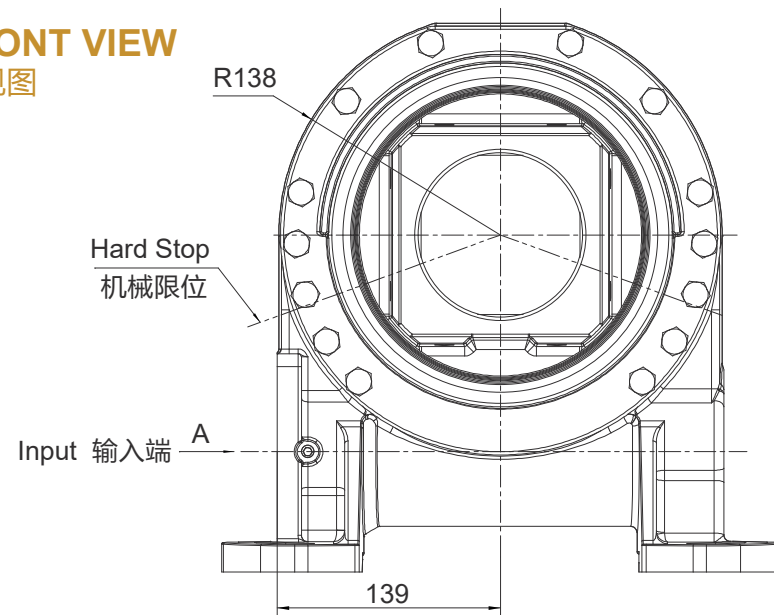
Weight: ≈41kg

Slewing Drive Performance Parameters

VE8DA性能参数表

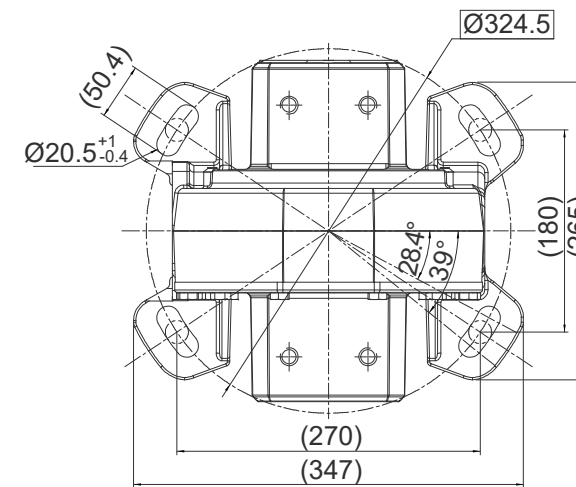
Rated Output Torque	Output Torque (Max.)	Holding Torque	Gear Ratio	Tracking Precision	Weight
额定输出转矩	最大输出转矩	保持力矩	减速比	精度等级	重量
5500 N.m	11 kN.m	45 kN.m	50 : 1	≤0.3°	≈41 kg (SS140)
4059 lbf.ft	8118 lbf.ft	33210 lbf.ft			

FRONT VIEW
正视图

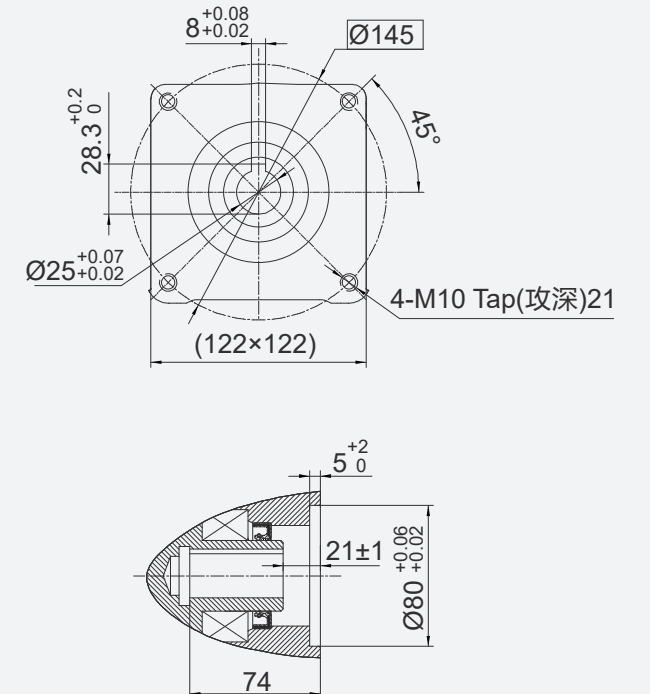


SPECIAL DESIGN BASE ON CUSTOMER'S REQUIREMENT
可根据顾客的要求进行非标设计

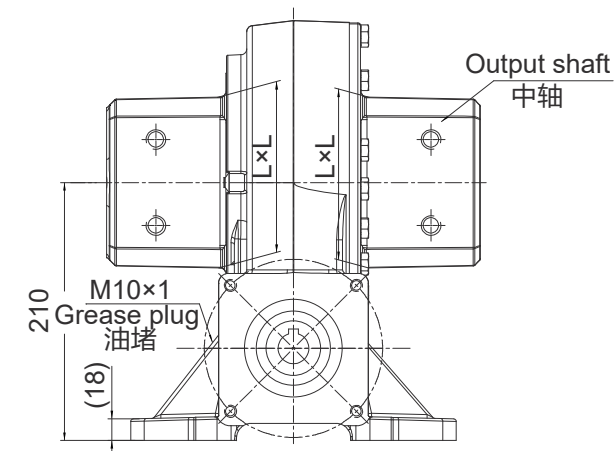
TOP VIEW
俯视图



VIEW A
A向视图



SIDE VIEW
侧视图



Type of output shaft	Square 方形	Square 方形	Square 方形(max.)
中轴类型	SS110	SS113	SS140
Size 尺寸(LxL)	110x110	113x113	140x140

中轴类型、尺寸可根据客户要求, 进行非标设计(Customized)

NOTICE 注意

- This drawing is just for your reference. 以上图纸仅供参考。
- This drawing is subject to change due to new design without prior notice. 本公司保留改进产品的权利而不再另行通知。

SLEWING DRIVE (Master drive) 回转式减速器 (主动)

VE8DB



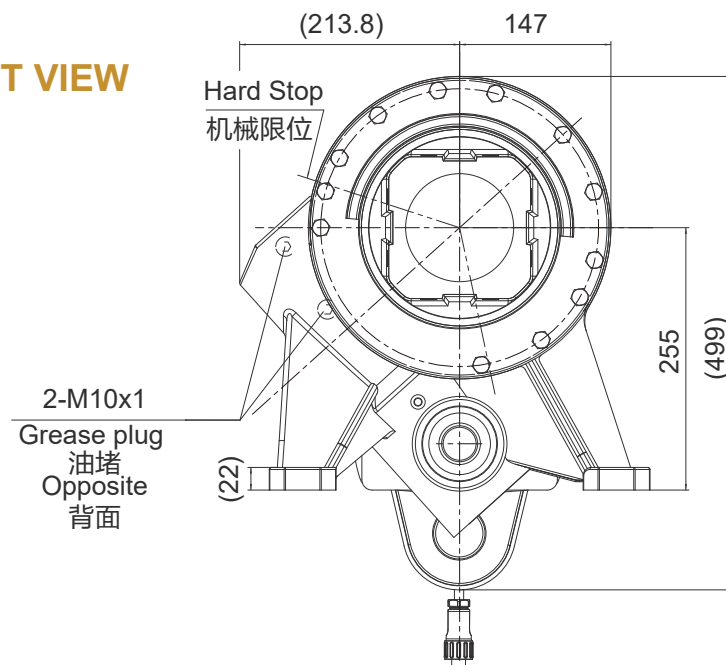
UNITS: mm
单位: mm
1inch=25.4mm

Weight: ≈72kg

Slewing Drive Performance Parameters
VE8DB (主动) 性能参数表

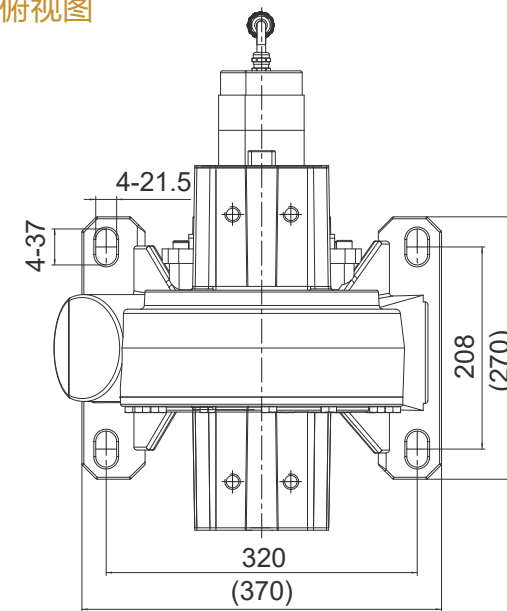
Rated Output Torque	Output Torque (Max.)	Holding Torque	Gear Ratio	Tracking Precision	Weight
额定输出转矩	最大输出转矩	保持力矩	减速比	精度等级	重量
3800 N.m	5700 N.m	45kN.m	60 : 1	≤0.3°	≈72 kg (SS142)
2804 lbf.ft	4206 lbf.ft	33210 lbf.ft			

FRONT VIEW
正视图

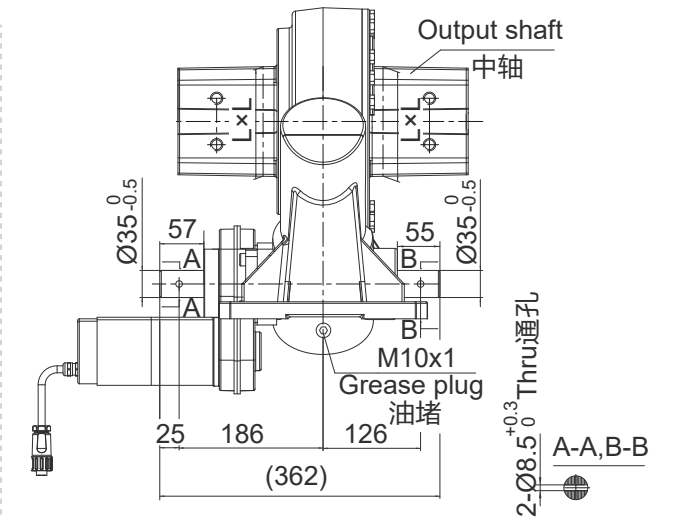


SPECIAL DESIGN BASE ON CUSTOMER'S REQUIREMENT
可根据顾客的要求进行非标设计

TOP VIEW
俯视图



SIDE VIEW
侧视图



24VDC Planetary Reducer Motor Performance Data
24.10.550 直流有刷减速电机性能参数

Rated Voltage	Rated Speed	Rated Torque	Rated Current	IP Class
额定电压	额定转速	额定转矩	额定电流	防护等级
24 VDC	1 rpm	550N.m	≤7.1 A	IP65

One motor can drive three slewing drives. 一台电机可以驱动三台装置

Type of output shaft	Square 方形(max.)
中轴类型	SS142
Size 尺寸(L×L)	142×142

中轴类型、尺寸可根据客户要求, 进行非标设计(Customized)

NOTICE 注意

- This drawing is just for your refenece. 以上图纸仅供参考。
- This drawing is subject to change due to new design without prior notice. 本公司保留改进产品的权利而不再另行通知。

SLEWING DRIVE (Slave drive)
回转式减速器 (从动)

VE8DB



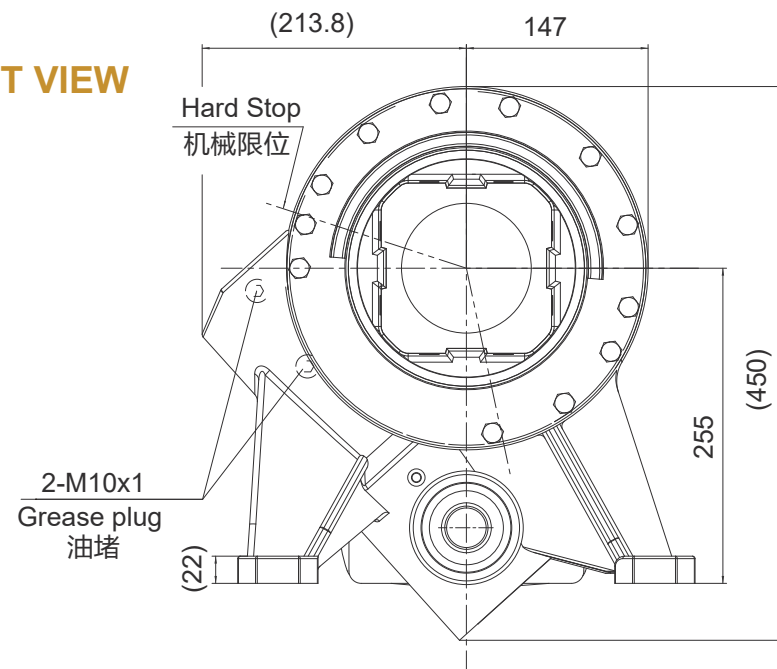
UNITS: mm
单位: mm
1inch=25.4mm

Weight: ≈62kg

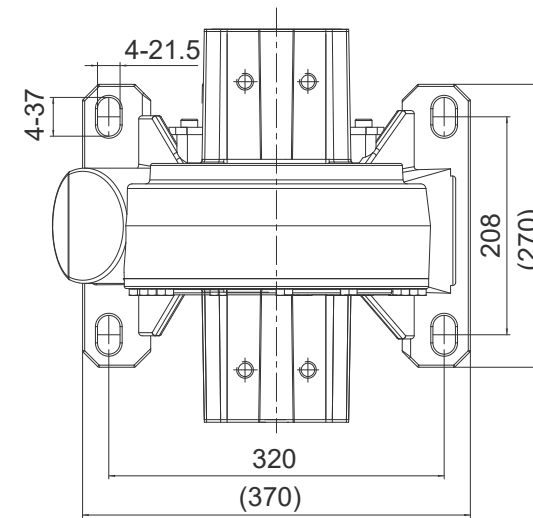
Slewing Drive Performance Parameters
VE8DB (从动) 性能参数表

Rated Output Torque	Output Torque (Max.)	Holding Torque	Gear Ratio	Tracking Precision	Weight
额定输出转矩	最大输出转矩	保持力矩	减速比	精度等级	重量
3800 N.m	5700 N.m	45kN.m	60 : 1	≤0.3°	≈62 kg (SS142)
2804 lbf.ft	4206 lbf.ft	33210 lbf.ft			

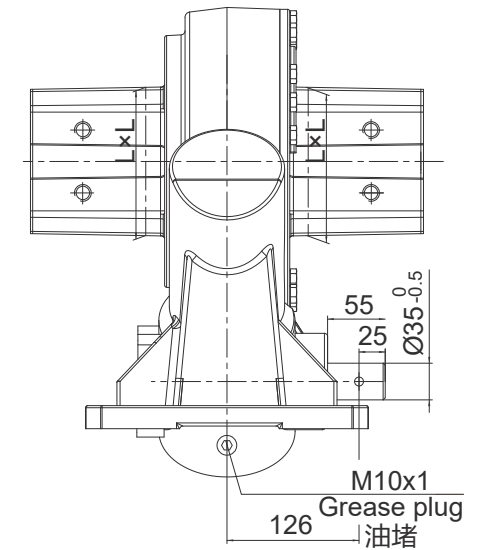
FRONT VIEW
正视图



TOP VIEW
俯视图



SIDE VIEW
侧视图



Type of output shaft	Square 方形(max.)
中轴类型	SS142
Size 尺寸(L×L)	142×142

中轴类型、尺寸可根据客户要求, 进行非标设计(Customized)

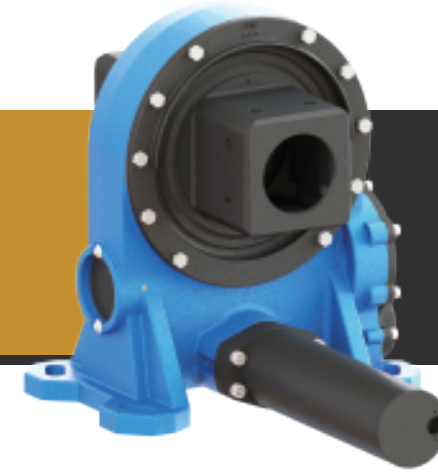
SPECIAL DESIGN BASE ON CUSTOMER'S REQUIREMENT
可根据顾客的要求进行非标设计

NOTICE 注意

- This drawing is just for your refenece. 以上图纸仅供参考。
- This drawing is susbject to change due to new design without prior notice. 本公司保留改进产品的权利而不再另行通知。

SLEWING DRIVE (Master drive) 回转式减速器 (主动)

VE8DH



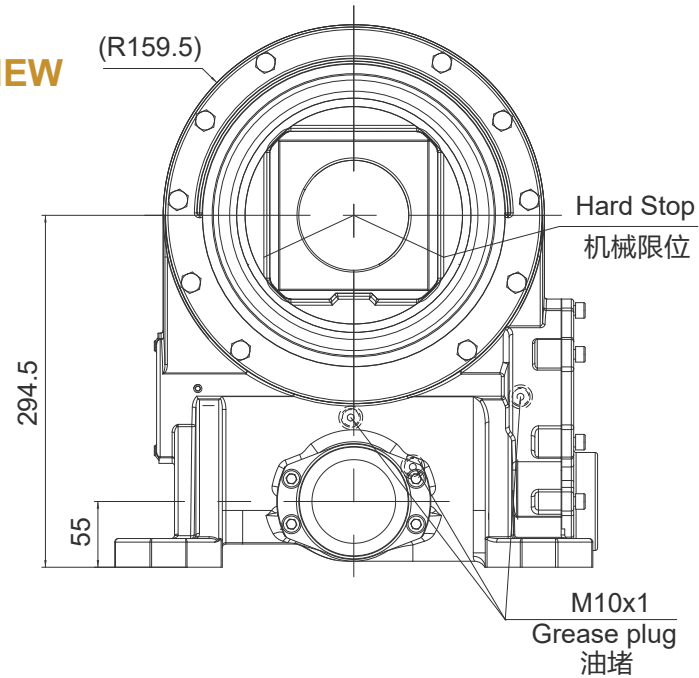
UNITS: mm
单位: mm
1inch=25.4mm

Weight: ≈90kg

Slewing Drive Performance Parameters
VE8DH (主动) 性能参数表

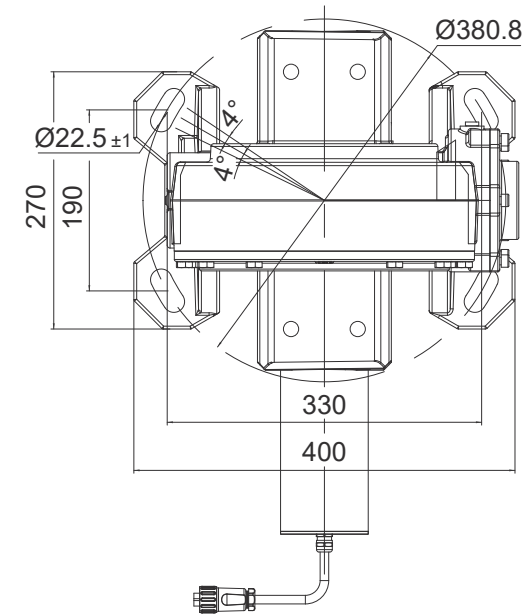
Rated Output Torque	Output Torque (Max.)	Holding Torque	Gear Ratio	Tracking Precision	Weight
额定输出转矩	最大输出转矩	保持力矩	减速比	精度等级	重量
5000 N.m	11500 N.m	55kN.m	134 : 1	≤0.3°	≈86 kg (SS140)
2804 lbf.ft	8487 lbf.ft	40590 lbf.ft			

FRONT VIEW
正视图

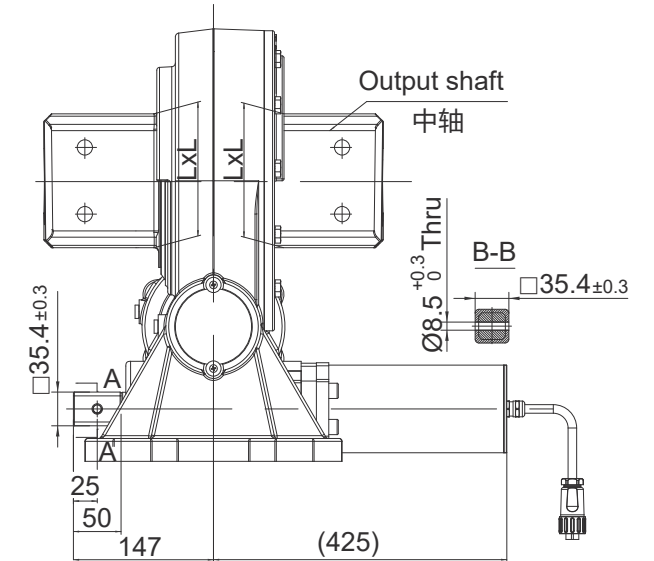


SPECIAL DESIGN BASE ON CUSTOMER'S REQUIREMENT
可根据顾客的要求进行非标设计

TOP VIEW
俯视图



SIDE VIEW
侧视图



24VDC Planetary Reducer Motor Performance Data
24.20.420 直流有刷减速电机性能参数

Rated Voltage	Rated Speed	Rated Torque	Rated Current	IP Class
额定电压	额定转速	额定转矩	额定电流	防护等级
24 VDC	2 rpm	420N.m	≤8 A	IP65

One motor can drive two slewing drives. 一台电机可以驱动两台装置

Type of output shaft	Square 方形(max.)
中轴类型	SS140.5
Size 尺寸(L×L)	140.5×140.5

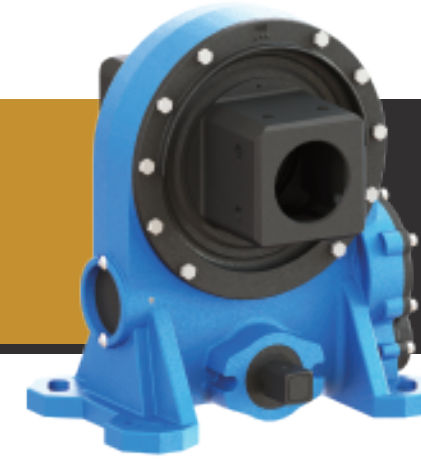
中轴类型、尺寸可根据客户要求, 进行非标设计(Customized)

NOTICE 注意

- This drawing is just for your reference. 以上图纸仅供参考。
- This drawing is subject to change due to new design without prior notice. 本公司保留改进产品的权利而不再另行通知。

SLEWING DRIVE (Slave drive)
回转式减速器 (从动)

VE8DH



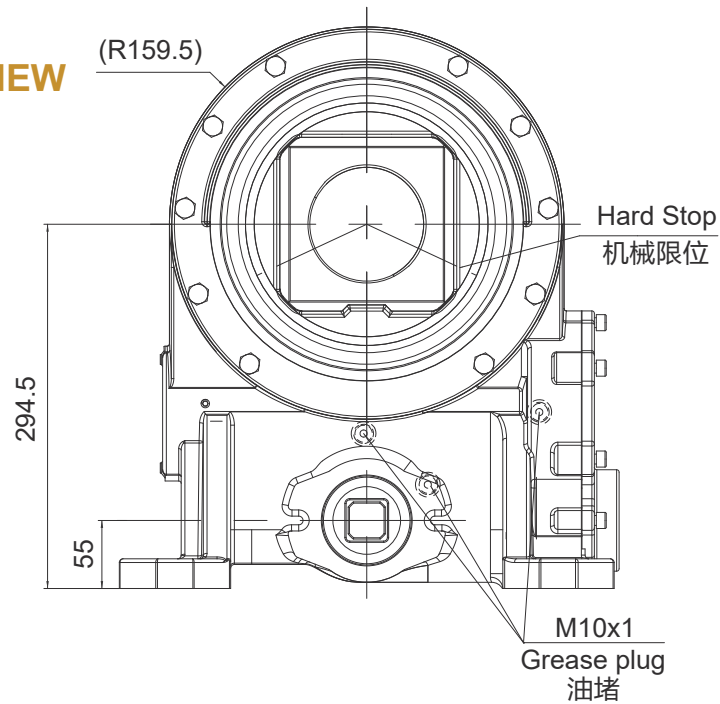
UNITS: mm
单位: mm
1inch=25.4mm

Weight: ≈90kg

Slewing Drive Performance Parameters
VE8DH (从动) 性能参数表

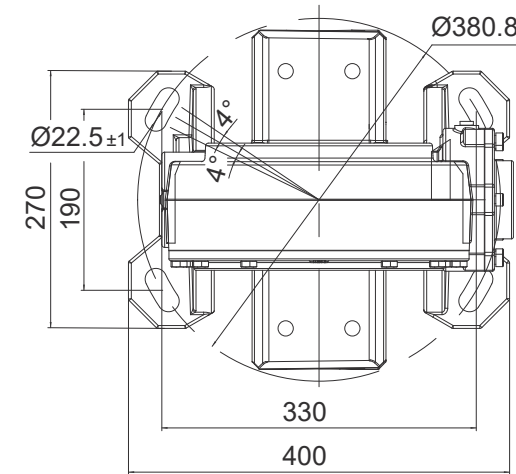
Rated Output Torque	Output Torque (Max.)	Holding Torque	Gear Ratio	Tracking Precision	Weight
额定输出转矩	最大输出转矩	保持力矩	减速比	精度等级	重量
5000 N.m	11500 N.m	55kN.m	134 : 1	≤0.3°	≈80 kg (SS140)
2804 lbf.ft	8487 lbf.ft	40590 lbf.ft			

FRONT VIEW
正视图

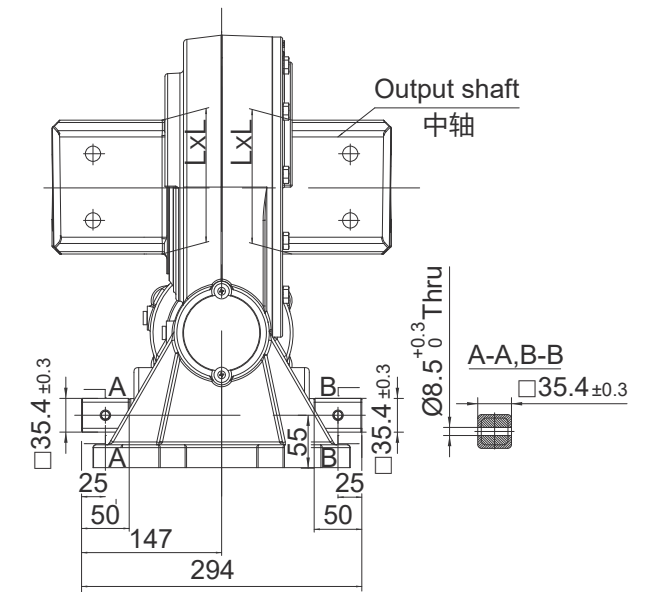


SPECIAL DESIGN BASE ON CUSTOMER'S REQUIREMENT
可根据顾客的要求进行非标设计

TOP VIEW
俯视图



SIDE VIEW
侧视图



Type of output shaft	Square 方形(max.)
中轴类型	SS140.5
Size 尺寸(L×L)	140.5×140.5

中轴类型、尺寸可根据客户要求, 进行非标设计(Customized)

NOTICE 注意

- This drawing is just for your refenece. 以上图纸仅供参考。
- This drawing is susbject to change due to new design without prior notice. 本公司保留改进产品的权利而不再另行通知。

SLEWING DRIVE 回转式减速器

VE8DN



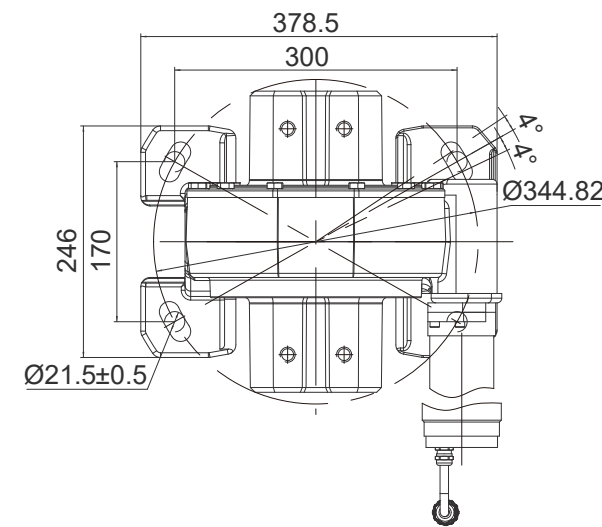
UNITS: mm
单位: mm
1inch=25.4mm

Weight: ~50kg

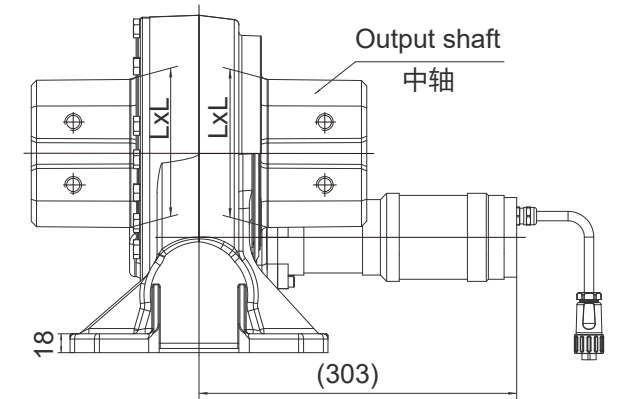
Slewing Drive Performance Parameters
VE8DN 性能参数表

Rated Output Torque	Output Torque (Max.)	Holding Torque	Gear Ratio	Tracking Precision	Weight
额定输出转矩	最大输出转矩	保持力矩	减速比	精度等级	重量
3800 N.m	5700 N.m	45kN.m	400 : 1	≤0.3°	≈50kg (SS142)
2804 lbf.ft	4206 lbf.ft	33210 lbf.ft			

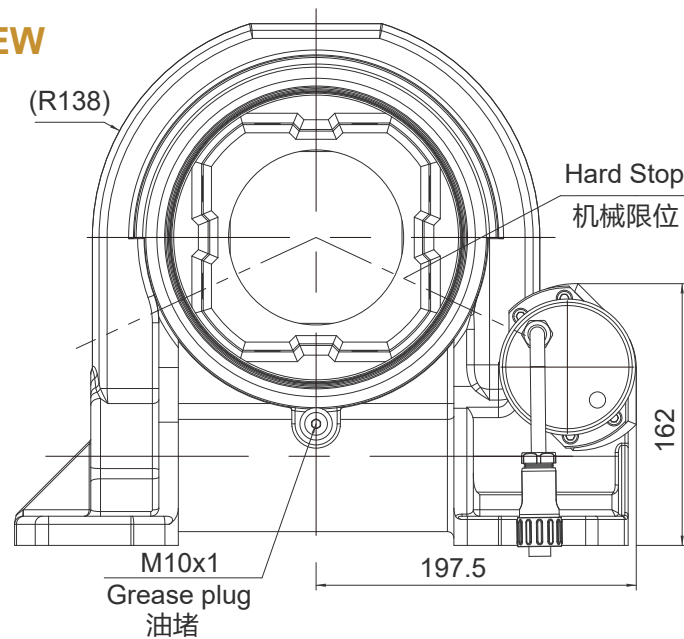
TOP VIEW
俯视图



SIDE VIEW
侧视图



FRONT VIEW
正视图



SPECIAL DESIGN BASE ON CUSTOMER'S REQUIREMENT
可根据顾客的要求进行非标设计

24VDC Planetary Reducer Motor Performance Data
24.60.40 直流有刷减速电机性能参数

Rated Voltage	Rated Speed	Rated Torque	Rated Current	IP Class
额定电压	额定转速	额定转矩	额定电流	防护等级
24 VDC	6 rpm	40N.m	≤3.5A	IP65

Type of output shaft Square 方形(max.)

中轴类型 SS142

Size 尺寸(L×L) 142×142

中轴类型、尺寸可根据客户要求, 进行非标设计(Customized)

NOTICE 注意

- This drawing is just for your reference. 以上图纸仅供参考。
- This drawing is subject to change due to new design without prior notice. 本公司保留改进产品的权利而不再另行通知。

SLEWING DRIVE (Master drive)
回转式减速器 (主动)

VE8DQ



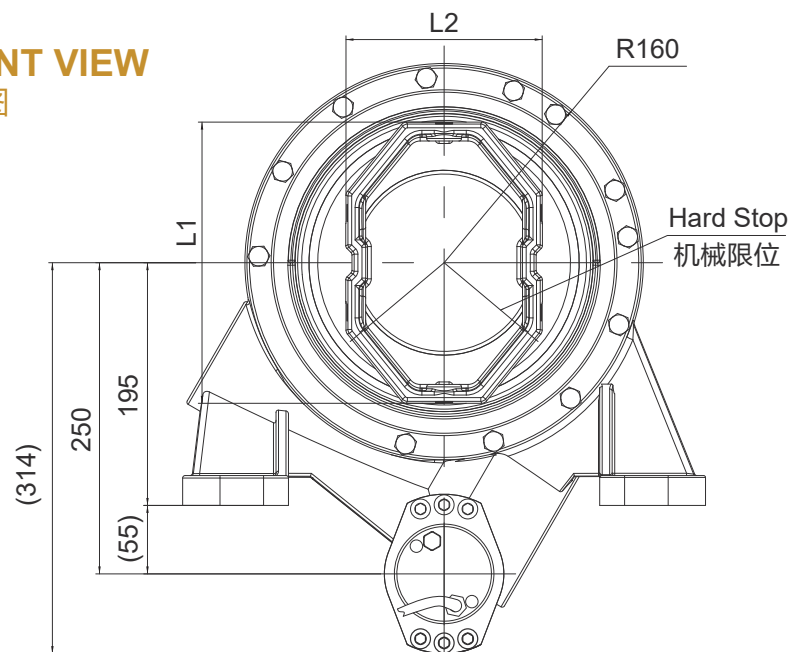
UNITS: mm
单位: mm
1inch=25.4mm

Weight: ~78kg

Slewing Drive Performance Parameters
VE8DQ (主动) 性能参数表

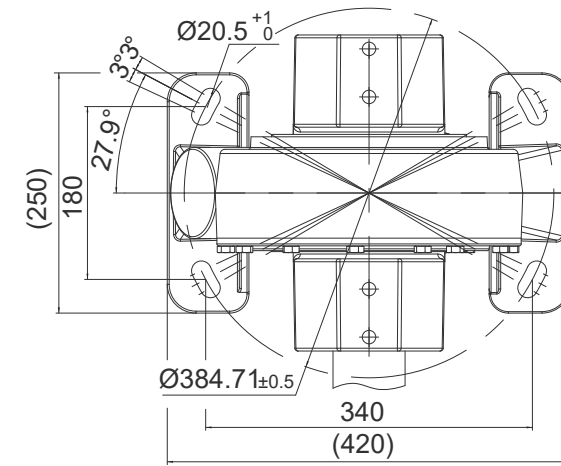
Rated Output Torque	Output Torque (Max.)	Holding Torque	Gear Ratio	Tracking Precision	Weight
额定输出转矩	最大输出转矩	保持力矩	减速比	精度等级	重量
10000 N.m	15000 N.m	68.5 kN.m	726: 1	≤0.3°	≈78 kg (OC225.8×157.5)
7380 lbf.ft	11070 lbf.ft	50553 lbf.ft			

FRONT VIEW
正视图

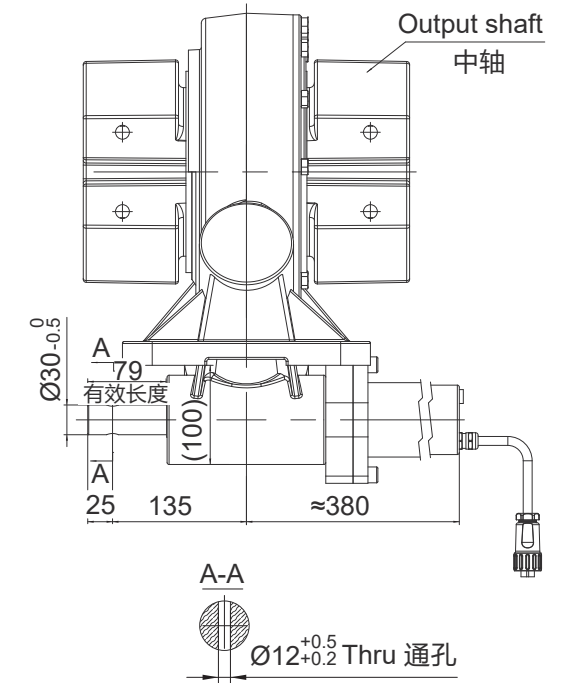


SPECIAL DESIGN BASE ON CUSTOMER'S REQUIREMENT
可根据顾客的要求进行非标设计

TOP VIEW
俯视图



SIDE VIEW
侧视图



Type of output shaft	Octagon 八边形(max.)
中轴类型	OC225.8×157.5
Size 尺寸(L1×L2)	225.8×157.5

中轴类型、尺寸可根据客户要求, 进行非标设计(Customized)

NOTICE 注意

- This drawing is just for your refenece. 以上图纸仅供参考。
- This drawing is susbject to change due to new design without prior notice. 本公司保留改进产品的权利而不再另行通知。

SLEWING DRIVE (Slave drive) 回转式减速器 (从动)

VE8DQ



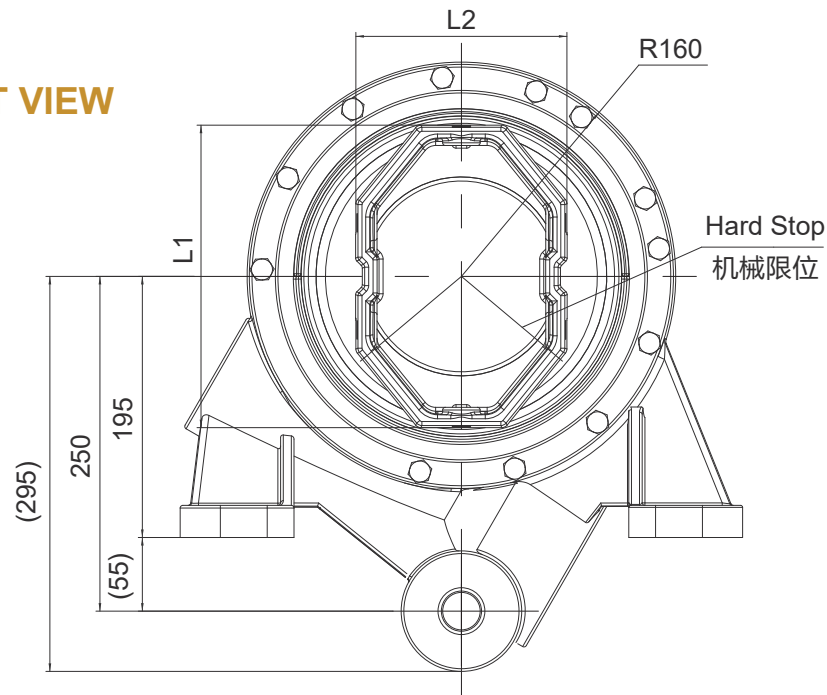
UNITS: mm
单位: mm
1inch=25.4mm

Weight: ~70kg

Slewing Drive Performance Parameters
VE8DQ (从动) 性能参数表

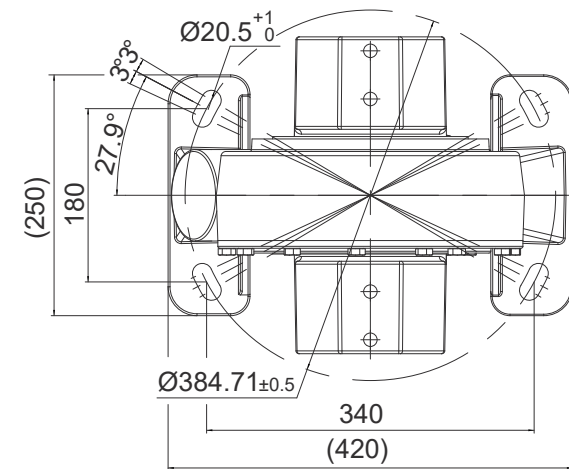
Rated Output Torque	Output Torque (Max.)	Holding Torque	Gear Ratio	Tracking Precision	Weight
额定输出转矩	最大输出转矩	保持力矩	减速比	精度等级	重量
10000 N.m	15000 N.m	68.5 kN.m	726: 1	≤0.3°	≈70 kg (OC225.8×157.5)
7380 lbf.ft	11070 lbf.ft	50553 lbf.ft			

FRONT VIEW
正视图

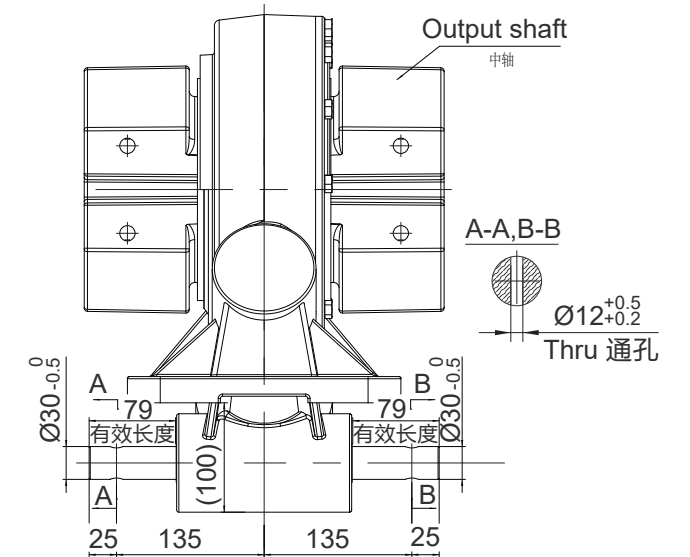


SPECIAL DESIGN BASE ON CUSTOMER'S REQUIREMENT
可根据顾客的要求进行非标设计

TOP VIEW
俯视图



SIDE VIEW
侧视图



24VDC Planetary Reducer Motor Performance Data
32.80.150 直流有刷减速电机性能参数

Rated Voltage	Rated Speed	Rated Torque	Rated Current	IP Class
额定电压	额定转速	额定转矩	额定电流	防护等级
32 VDC	8 rpm	150N.m	≤8 A	IP65

One motor can drive three slewing drives. 一台电机可以驱动四台装置

NOTICE 注意

- This drawing is just for your refenece. 以上图纸仅供参考。
- This drawing is susbject to change due to new design without prior notice. 本公司保留改进产品的权利而不再另行通知。

SLEWING DRIVE 回转式减速器

VE8GA

UNITS: mm
单位: mm
1inch=25.4mm

Weight: ~51kg

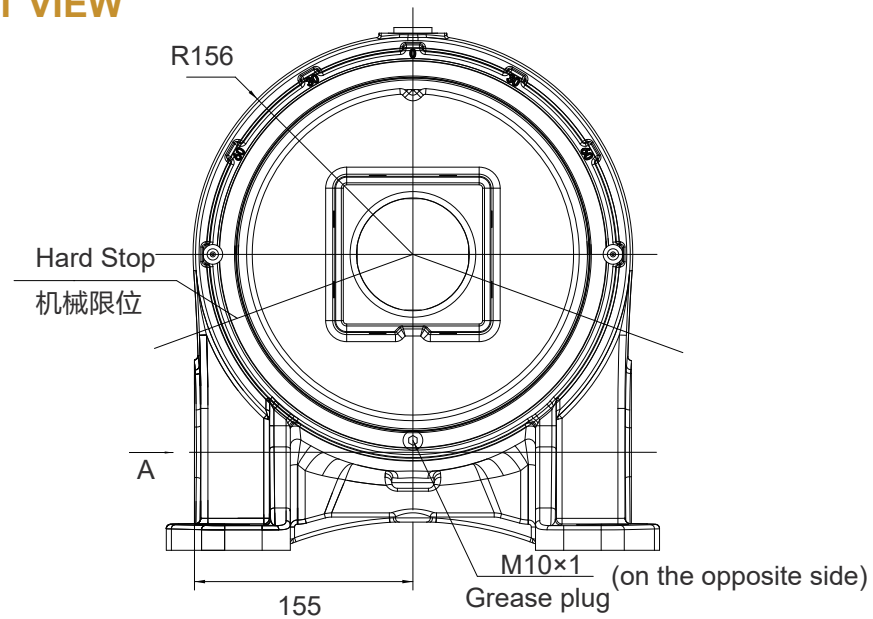


Slewing Drive Performance Parameters

VE8GA 性能参数表

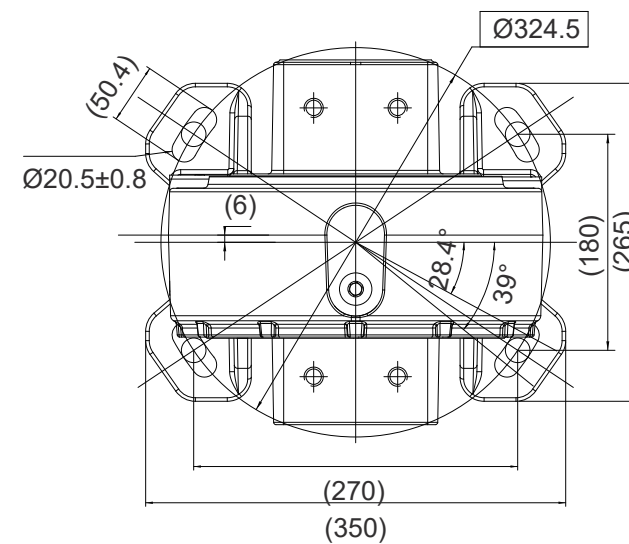
Rated Output Torque	Output Torque (Max.)	Holding Torque	Gear Ratio	Tracking Precision	Weight
额定输出转矩	最大输出转矩	保持力矩	减速比	精度等级	重量
5500 N.m	11 kN.m	45 kN.m	50 : 1	≤0.3°	≈51 kg (SS111)
4059 lbf.ft	8118 lbf.ft	33210 lbf.ft			

FRONT VIEW
正视图

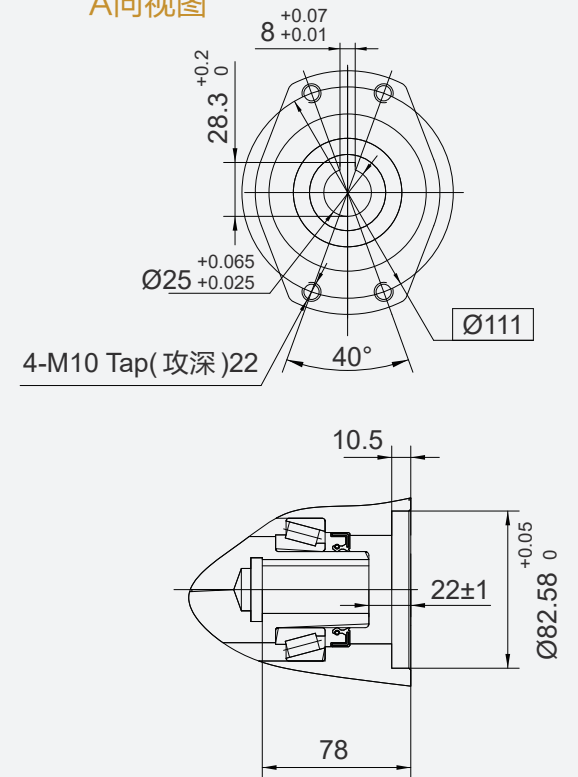


SPECIAL DESIGN BASE ON CUSTOMER'S REQUIREMENT
可根据顾客的要求进行非标设计

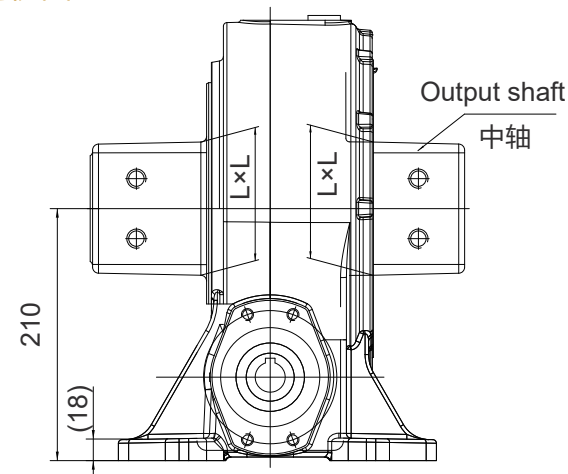
TOP VIEW
俯视图



VIEW A
A向视图



SIDE VIEW
侧视图



Type of output shaft	Square 方形	Square 方形	Square 方形(max.)
----------------------	-----------	-----------	-----------------

中轴类型	SS111	SS138	SS140
------	-------	-------	-------

Size 尺寸(L×L)	111×111	138×138	140×140
--------------	---------	---------	---------

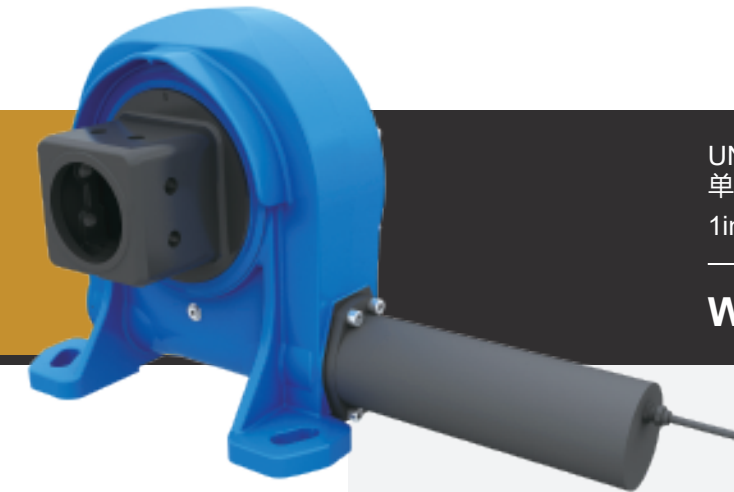
中轴类型、尺寸可根据客户要求, 进行非标设计(Customized)

NOTICE 注意

- This drawing is just for your reference. 以上图纸仅供参考。
- This drawing is subject to change due to new design without prior notice. 本公司保留改进产品的权利而不再另行通知。

SLEWING DRIVE 回转式减速器

VE9D



UNITS: mm
单位: mm
1inch=25.4mm

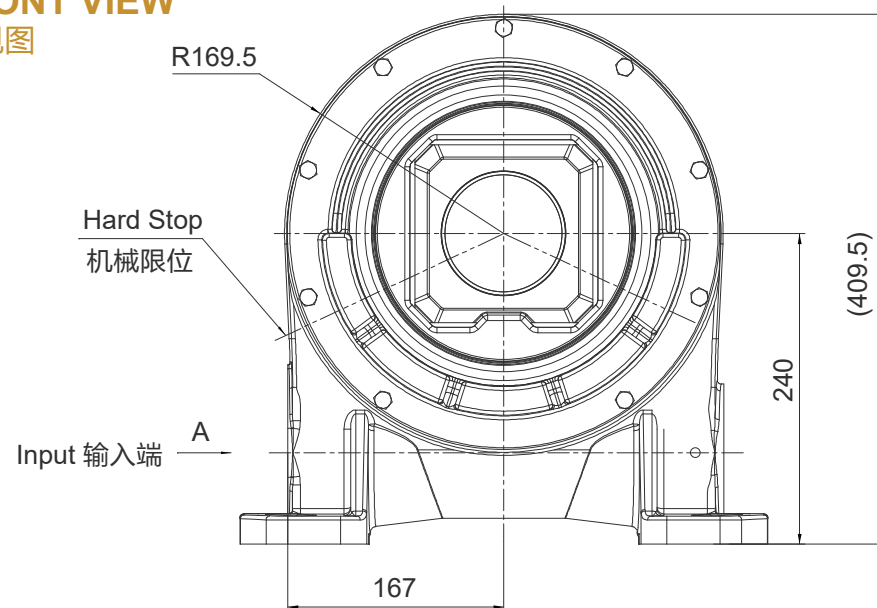
Weight: ≈71kg

Slewing Drive Performance Parameters

VE9D性能参数表

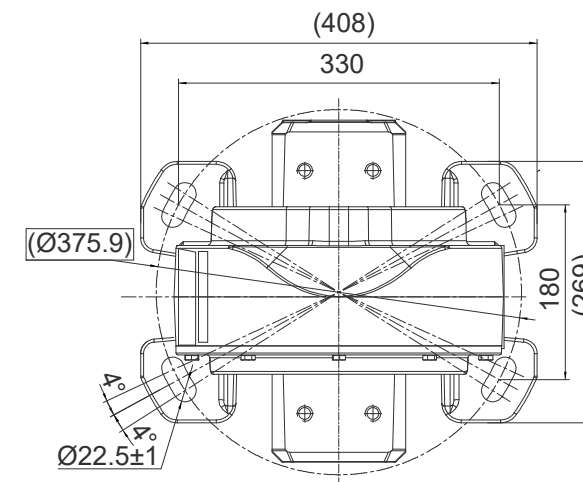
Rated Output Torque	Output Torque (Max.)	Holding Torque	Gear Ratio	Tracking Precision	Weight
额定输出转矩	最大输出转矩	保持力矩	减速比	精度等级	重量
6500 N.m	14000 N.m	65 kN.m	61 : 1	≤0.3°	≈71 kg (SS139.5)
4797 lbf.ft	10332 lbf.ft	47970 lbf.ft			

FRONT VIEW
正视图

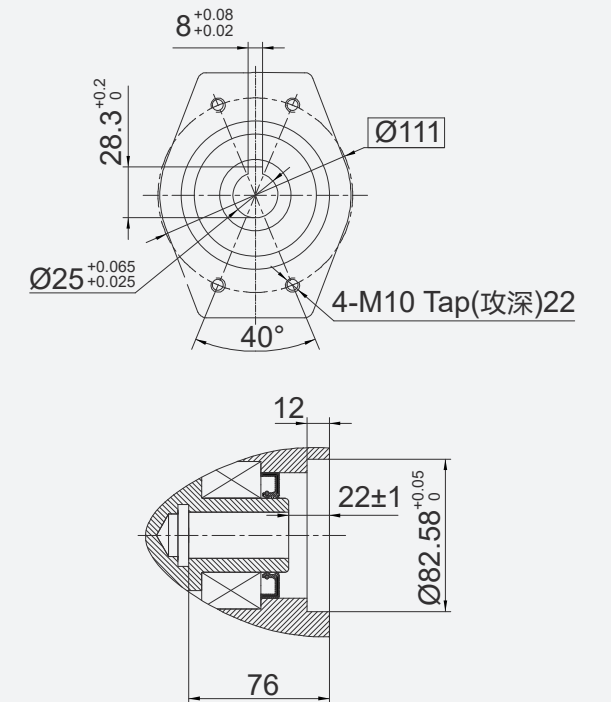


SPECIAL DESIGN BASE ON CUSTOMER'S REQUIREMENT
可根据顾客的要求进行非标设计

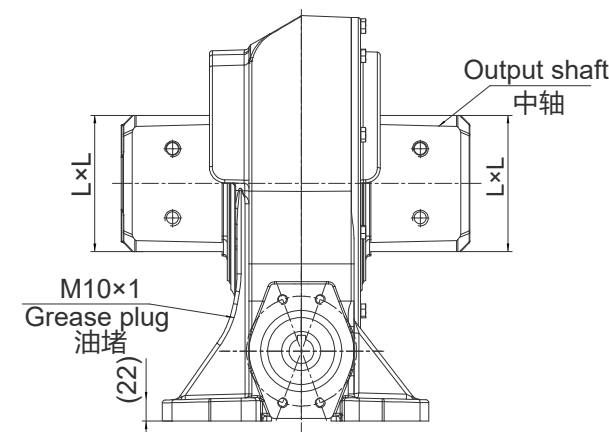
TOP VIEW
俯视图



VIEW A
A向视图



SIDE VIEW
侧视图



Type of output shaft	Square 方形	Square 方形	Square 方形	Square 方形	Square 方形(max.)
----------------------	-----------	-----------	-----------	-----------	-----------------

中轴类型	SS112	SS126	SS138	SS140	SS154
------	-------	-------	-------	-------	-------

Size 尺寸(L×L)	112×112	126×126	138×138	140×140	154×154
--------------	---------	---------	---------	---------	---------

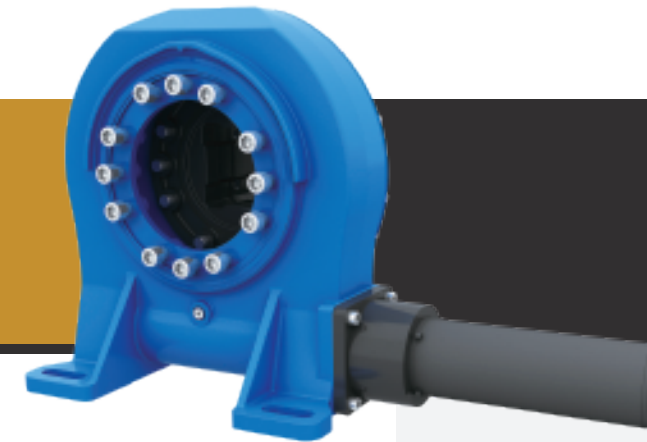
中轴类型、尺寸可根据客户要求, 进行非标设计(Customized)

NOTICE 注意

- This drawing is just for your reference. 以上图纸仅供参考。
- This drawing is subject to change due to new design without prior notice. 本公司保留改进产品的权利而不再另行通知。

SLEWING DRIVE 回转式减速器

VE10D



UNITS: mm
单位: mm
1inch=25.4mm

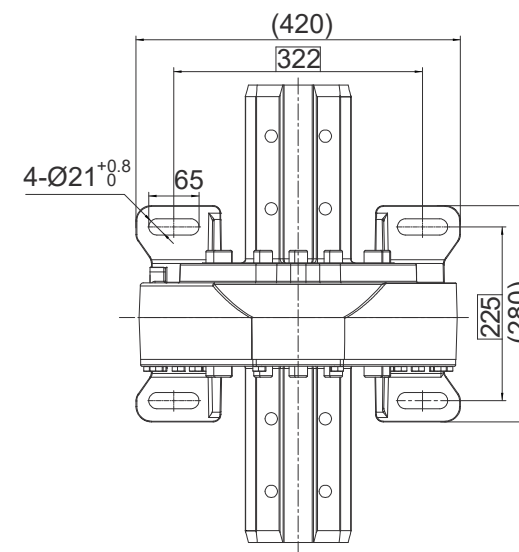
Weight: ~88kg

Slewing Drive Performance Parameters

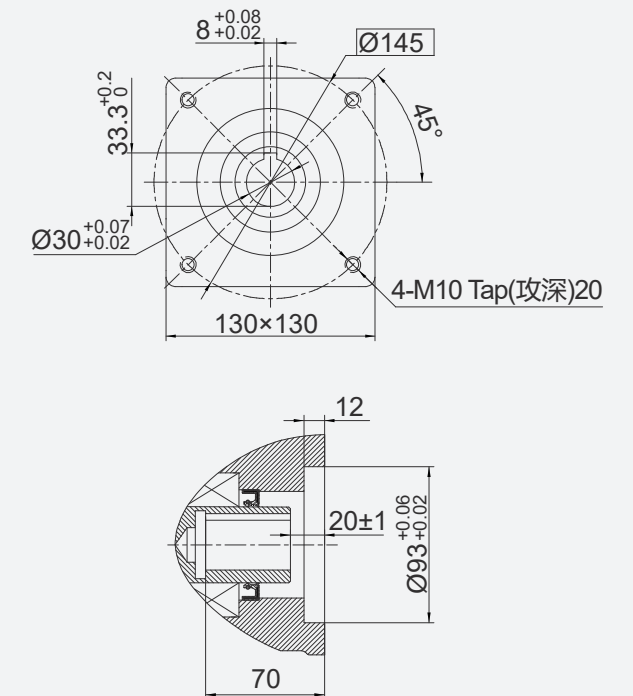
VE10D性能参数表

Rated Output Torque	Output Torque (Max.)	Holding Torque	Gear Ratio	Tracking Precision	Weight
额定输出转矩	最大输出转矩	保持力矩	减速比	精度等级	重量
8500 N.m	18 kN.m	75 kN.m	80 : 1	≤0.3°	≈88 kg (SS137)
6273 lbf.ft	13284 lbf.ft	55350 lbf.ft			

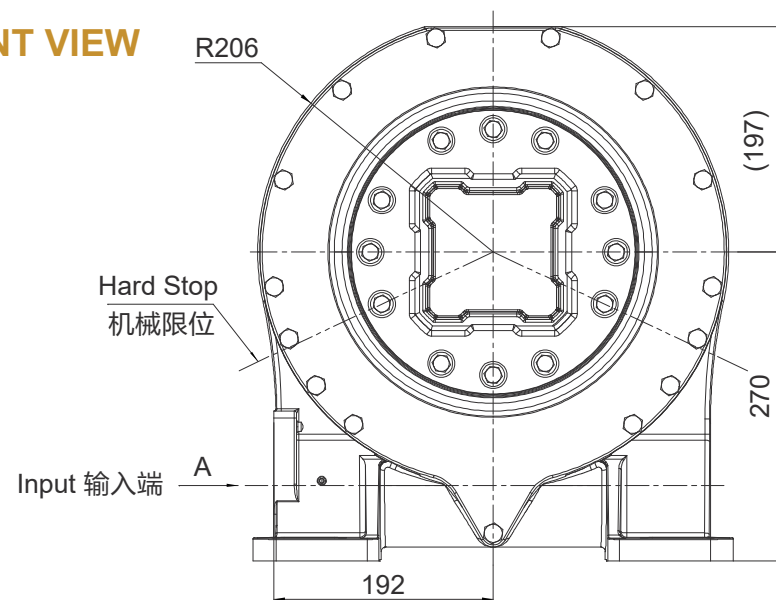
TOP VIEW
俯视图



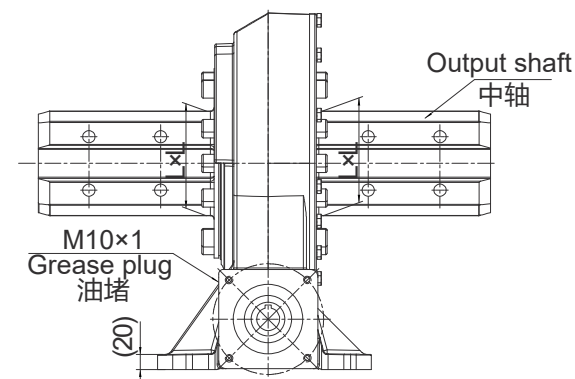
VIEW A
A向视图



FRONT VIEW
正视图



SIDE VIEW
侧视图



Type of output shaft	Square 方形
中轴类型	SS137
Size尺寸(L×L)	137×137

中轴类型、尺寸可根据客户要求, 进行非标设计(Customized)

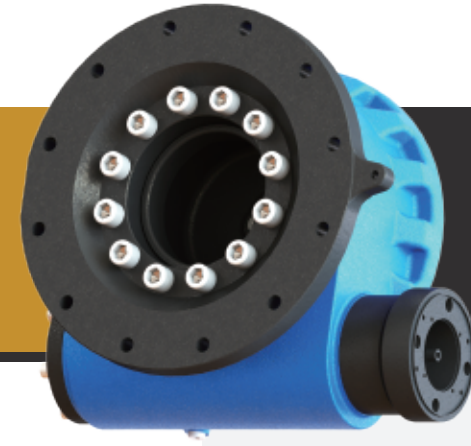
NOTICE 注意

- This drawing is just for your reference. 以上图纸仅供参考。
- This drawing is subject to change due to new design without prior notice. 本公司保留改进产品的权利而不再另行通知。

SPECIAL DESIGN BASE ON CUSTOMER'S REQUIREMENT
可根据顾客的要求进行非标设计

SLEWING DRIVE 回转式减速器

DW110



UNITS: mm
单位: mm
1inch=25.4mm

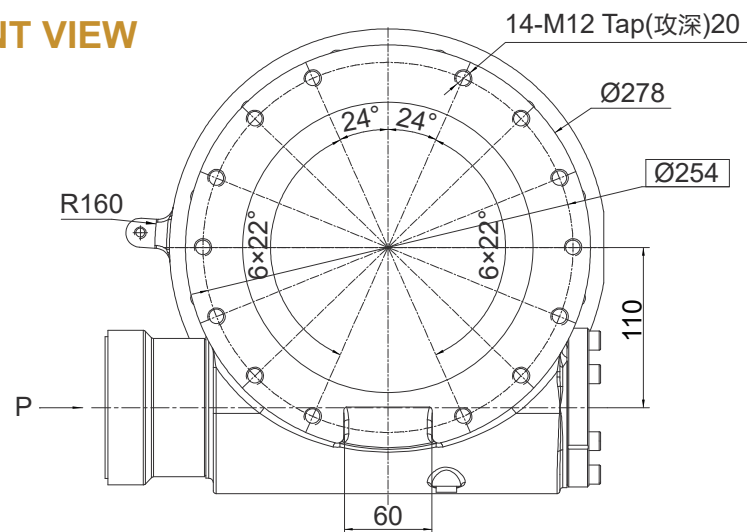
Weight: 49kg

Slewing Drive Performance Parameters

DW110性能参数表

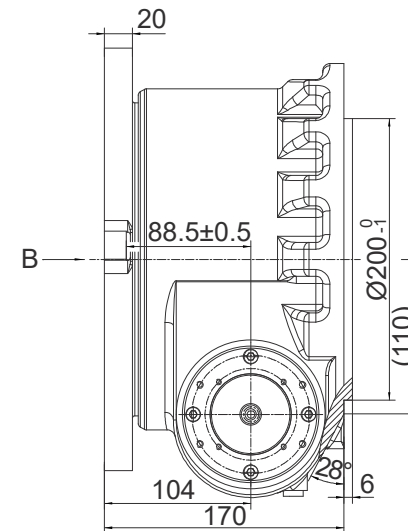
Rated Output Torque	Output Torque(Max.)	Tilting Moment Torque	Holding Torque	Axial Rating(Max.)	IP Class
额定输出转矩	最大输出转矩	倾翻力矩	保持力矩	轴向载荷(Max.)	防护等级
970 N.m	2169 N.m	7000 N.m	7110 N.m	11900 N	IP 65
716 lbf.ft	1600 lbf.ft	5166 lbf.ft	5247 lbf.ft	2675 lbf	
Operating Environment	Gear Ratio	Holding Stiffness	Tilting Stiffness	Tracking Precision	Weight
容许使用温度	减速比	扭转刚性	倾覆刚性	精度等级	重量
-30 ~ +65°C	60:1	≥650N.m/mrad	≥1000N.m/mrad	≤0.05°	49 kg

FRONT VIEW
正视图

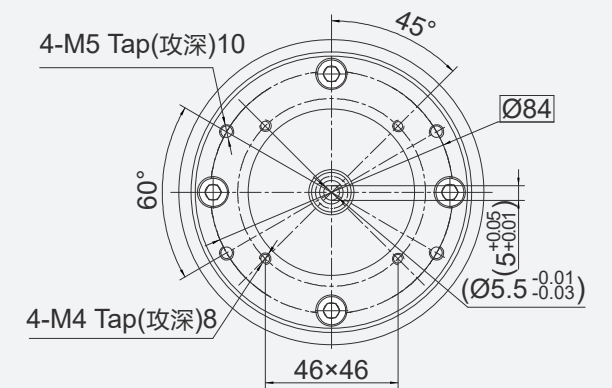


SPECIAL DESIGN BASE ON CUSTOMER'S REQUIREMENT
可根据顾客的要求进行非标设计

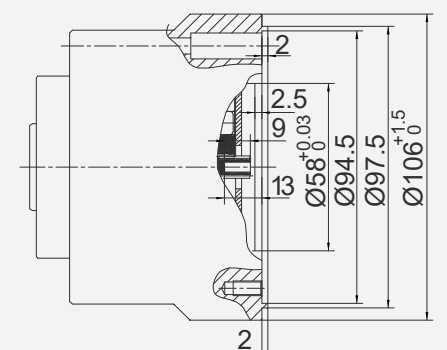
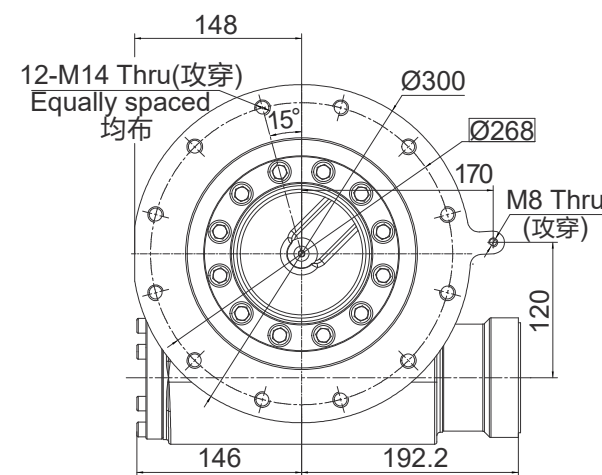
SIDE VIEW
侧视图



VIEW P OPTION
P向选项



VIEW B OPTION
B向选项



NOTICE 注意

- This drawing is just for your reference. 以上图纸仅供参考。
- This drawing is subject to change due to new design without prior notice. 本公司保留改进产品的权利而不再另行通知。

SLEWING DRIVE 回转式减速器

WDP21



UNITS: mm
单位: mm
1inch=25.4mm

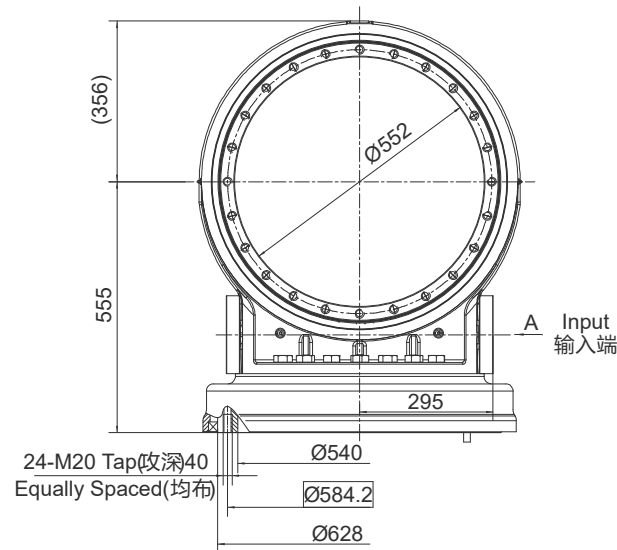
Weight: 545kg

Slewing Drive Performance Parameters

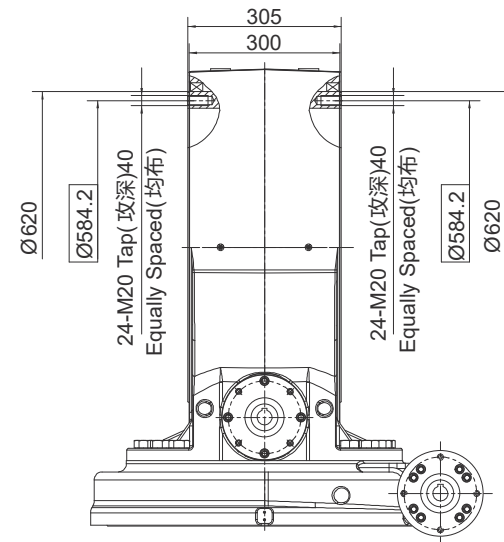
WDP21性能参数表

Model	Output Torque	Tilting Moment Torque	Holding Torque	Static Axial Rating	Static Radial Rating	Gear Ratio	Tracking Precision	Weight
类型	输出转矩	倾覆力矩	保持力矩	轴向静载荷	径向静载荷	减速比	精度等级	重量
Azimuth 方位	40 kN.m	200 kN.m	105 kN.m	385 kN	335 kN	105 : 1	≤ 0.2°	545 kg
	29520 lbf.ft	148×10 ³ lbf.ft	77×10 ³ lbf.ft	87×10 ³ lbf	75×10 ³ lbf			
Elevation 俯仰	43 kN.m	110 kN.m	100 kN.m	100 kN	200 kN	105 : 1	≤ 0.2°	
	31734 lbf.ft	81×10 ³ lbf.ft	50×10 ³ lbf.ft	22×10 ³ lbf	45×10 ³ lbf			

FRONT VIEW
正视图

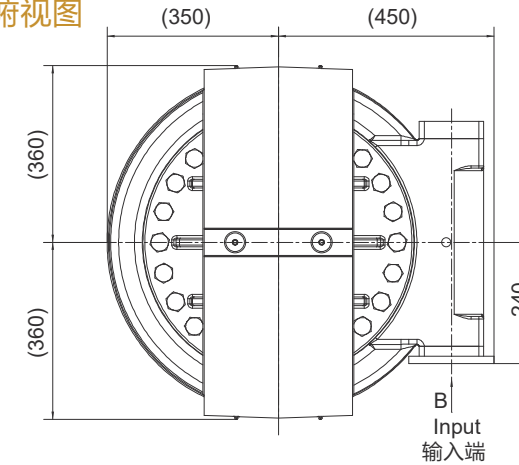


SIDE VIEW
侧视图

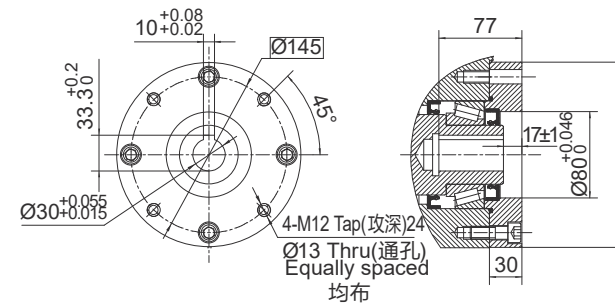


SPECIAL DESIGN BASE ON CUSTOMER'S REQUIREMENT
可根据顾客的要求进行非标设计

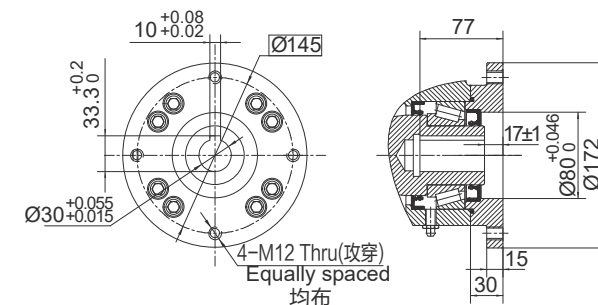
TOP VIEW
俯视图



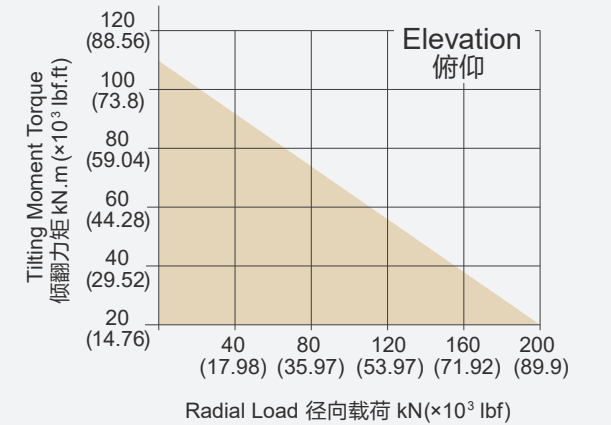
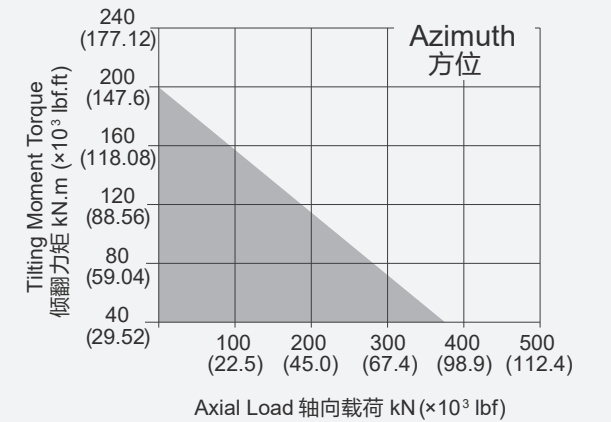
VIEW A
A向视图



VIEW B
B向视图



MOMENT LOAD CHART
承载力矩图



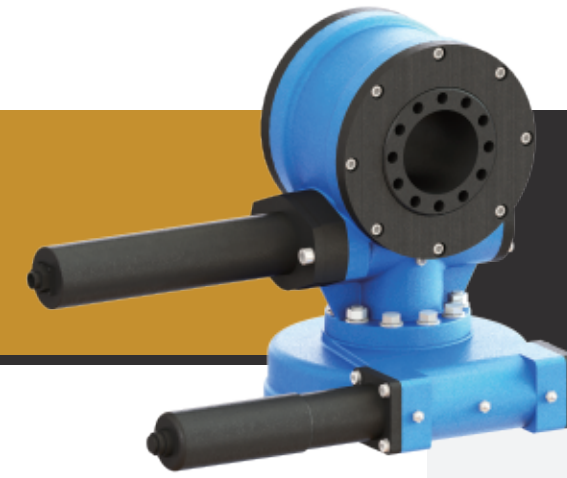
PLEASE BE SURE TO REMAIN UNDER THIS CURVE
选型时请确保实际载荷在曲线范围内

NOTICE 注意

- This drawing is just for your reference. 以上图纸仅供参考。
- This drawing is subject to change due to new design without prior notice. 本公司保留改进产品的权利而不再另行通知。

SLEWING DRIVE 回转式减速器

SDE7A.5 PDE7A.5



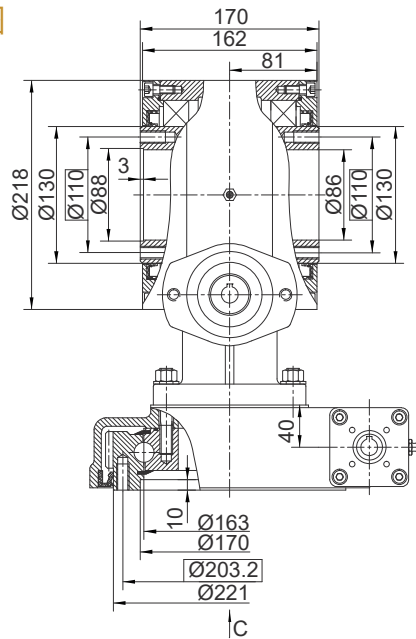
UNITS: mm
单位: mm
1inch=25.4mm

Weight: 23kg/33kg

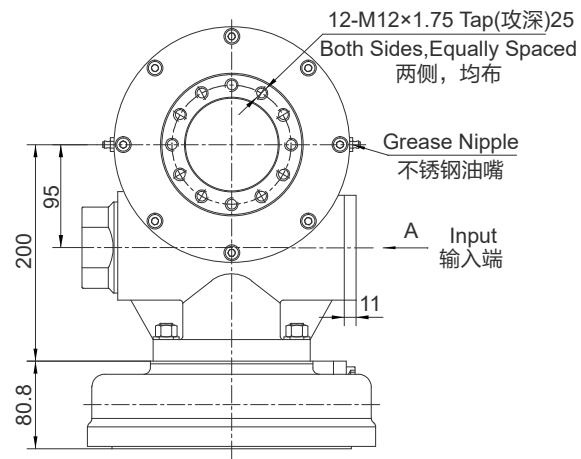
Slewing Drive Performance Parameters
SDE7A.5/PDE7A.5 性能参数表

Model	Output Torque	Tilting Moment Torque	Holding Torque	Static Axial Rating	Static Radial Rating	Gear Ratio	Tracking Precision		Weight
							SDE7A.5	PDE7A.5	
Azimuth 方位	1500 N.m	13500 N.m	10400 N.m	133 kN	53 kN	73 : 1	≤ 0.2°	≤ 0.1°	25 kg
	1107 lbf.ft	9957 lbf.ft	7671 lbf.ft	29900 lbf	11915 lbf		≤ 0.2°	≤ 0.1°	
Elevation 俯仰	2000 N.m	10 kN.m	9000 N.m	60 kN	120 kN	28 : 1	≤ 0.2°	≤ 0.1°	33 kg
	1476 lbf.ft	7380 lbf.ft	6642 lbf.ft	13488 lbf	26976 lbf		≤ 0.2°	≤ 0.1°	

SIDE VIEW
侧视图

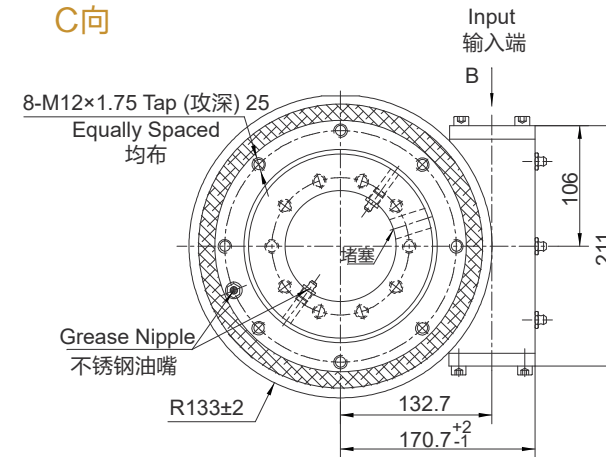


FRONT VIEW
正视图

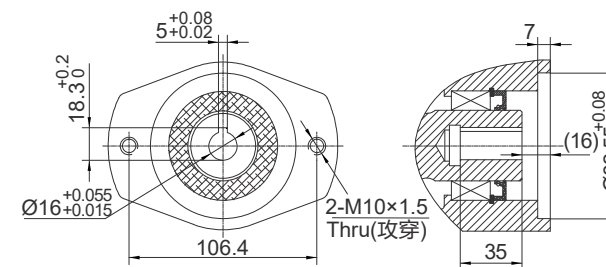


SPECIAL DESIGN BASE ON CUSTOMER'S REQUIREMENT
可根据顾客的要求进行非标设计

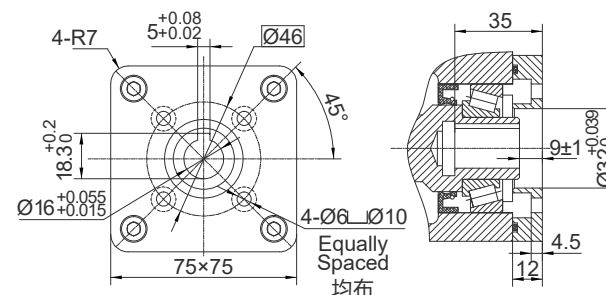
View C
C向



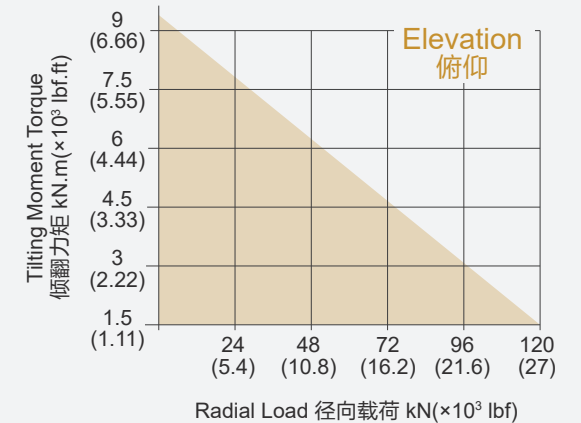
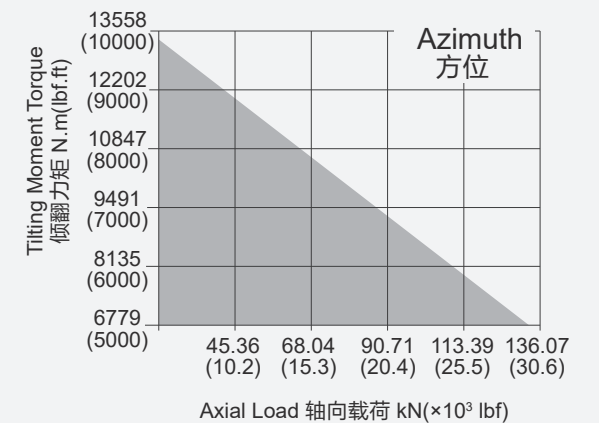
VIEW A
A向视图



VIEW B
B向视图



MOMENT LOAD CHART
承载力矩图



PLEASE BE SURE TO REMAIN UNDER THIS CURVE
选型时请确保实际载荷在曲线范围内

NOTICE 注意

- This drawing is just for your reference. 以上图纸仅供参考。
- This drawing is subject to change due to new design without prior notice. 本公司保留改进产品的权利而不再另行通知。

SLEWING DRIVE 回转式减速器

SDE17C



UNITS: mm
单位: mm
1inch=25.4mm

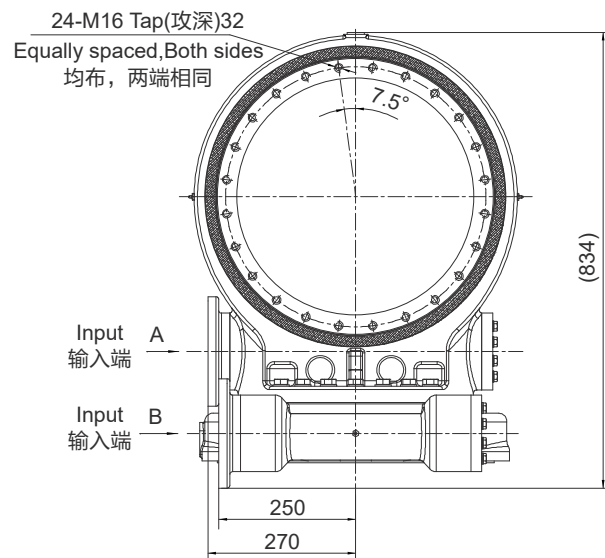
Weight: 390kg

Slewing Drive Performance Parameters

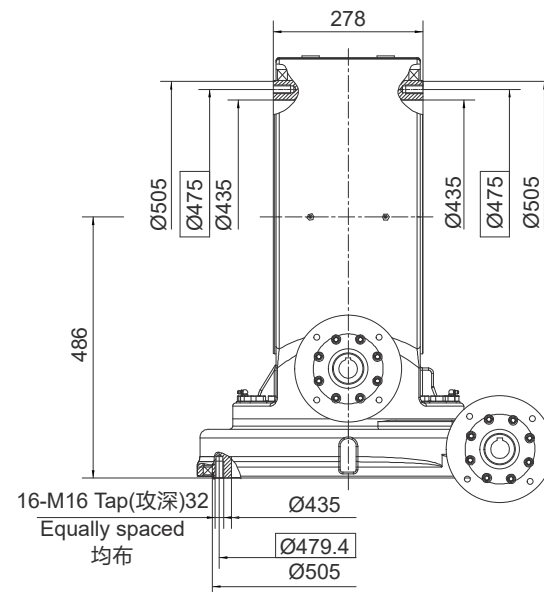
SDE17C性能参数表

Model	Output Torque	Tilting Moment Torque	Holding Torque	Static Axial Rating	Static Radial Rating	Gear Ratio	Tracking Precision	Weight
类型	输出转矩	倾覆力矩	保持力矩	轴向静载荷	径向静载荷	减速比	精度等级	重量
Azimuth 方位	20 kN.m	135.6 kN.m	72.3 kN.m	970 kN	390 kN	102 : 1	≤ 0.2°	390 kg
	14760 lbf.ft	100×10 ³ lbf.ft	53×10 ³ lbf.ft	218×10 ³ lbf	88×10 ³ lbf			
Elevation 俯仰	20 kN.m	70 kN.m	68 kN.m	80 kN	180 kN	102 : 1	≤ 0.2°	
	14760 lbf.ft	52×10 ³ lbf.ft	50×10 ³ lbf.ft	18×10 ³ lbf	40×10 ³ lbf			

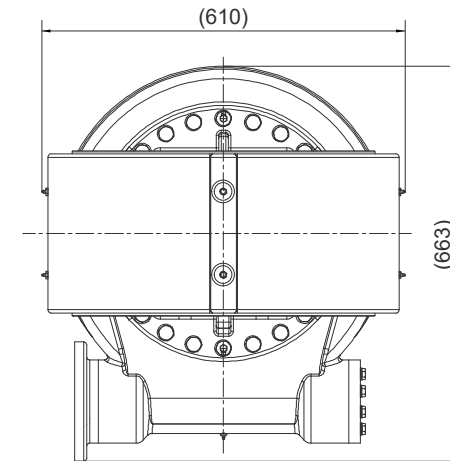
FRONT VIEW
正视图



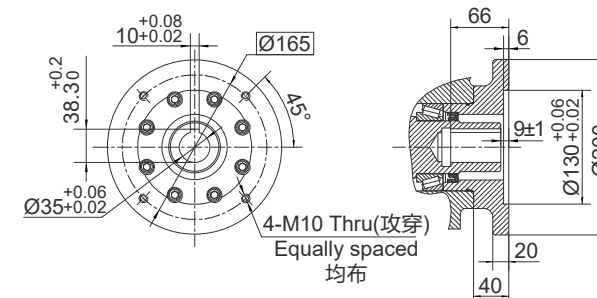
SIDE VIEW
侧视图



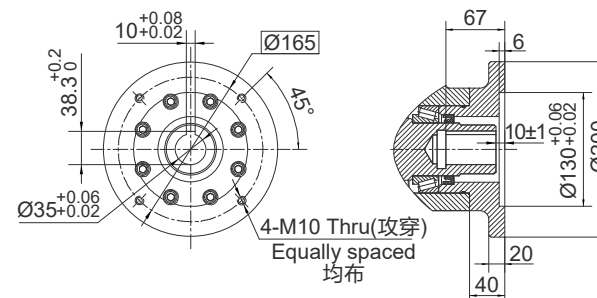
TOP VIEW
俯视图



VIEW A
A向视图

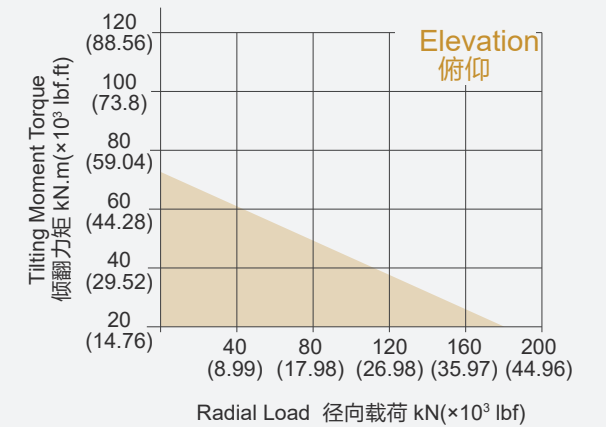
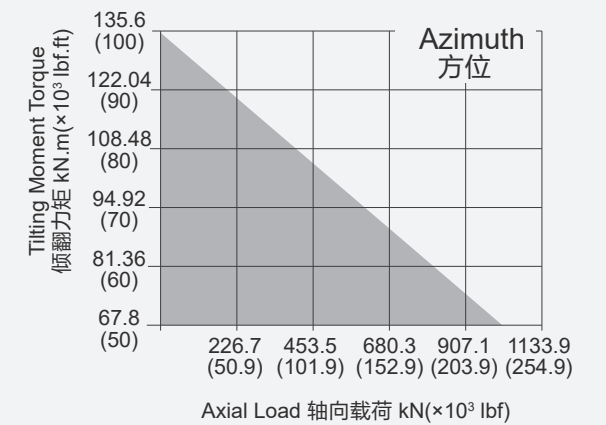


VIEW B
B向视图



MOMENT LOAD CHART

承载力矩图



PLEASE BE SURE TO REMAIN UNDER THIS CURVE
选型时请确保实际载荷在曲线范围内

NOTICE 注意

- This drawing is just for your reference. 以上图纸仅供参考。
- This drawing is subject to change due to new design without prior notice. 本公司保留改进产品的权利而不再另行通知。